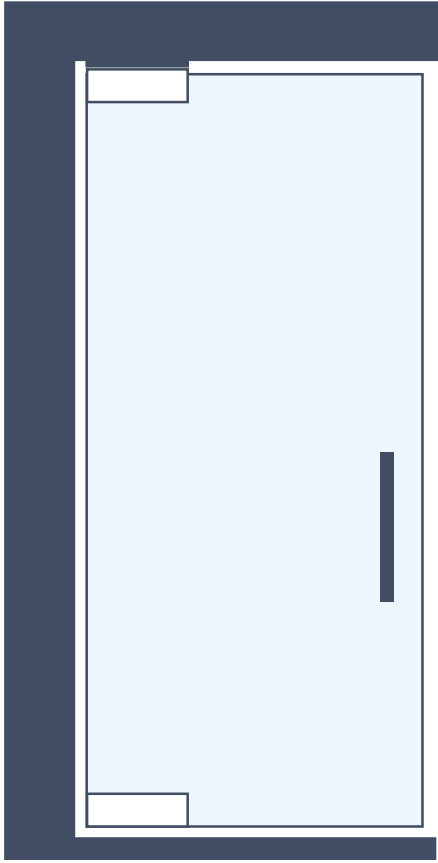




CGBF-100 KIT

Hydraulic patch kit installation manual for **CGS** Frameless swing door

CGS Swing



◆ 3/8" ◆ 1/2"



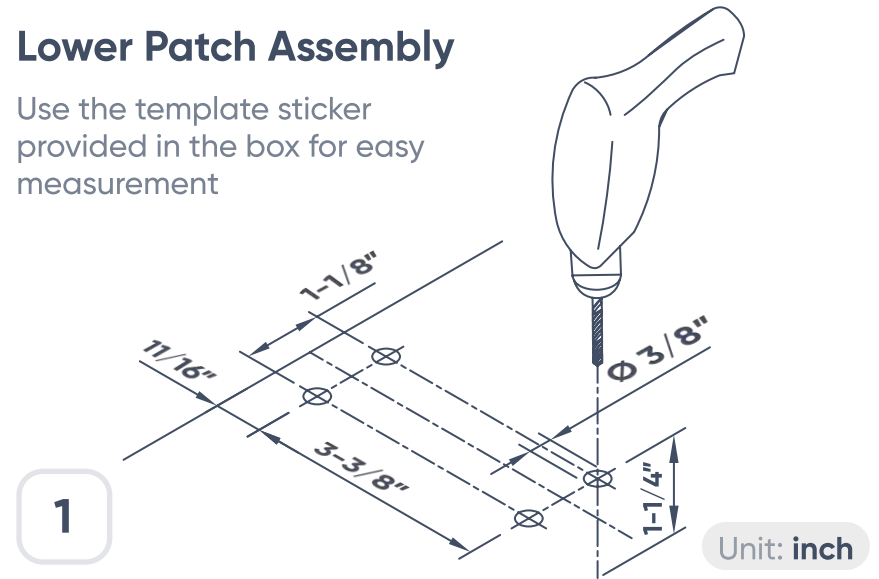
39-3/8" Max



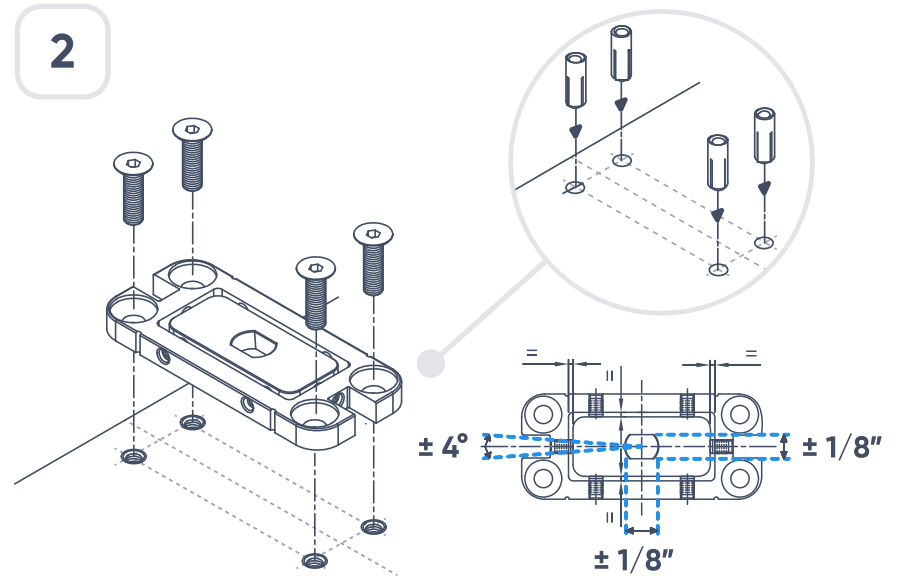
≤220 lbs

Lower Patch Assembly

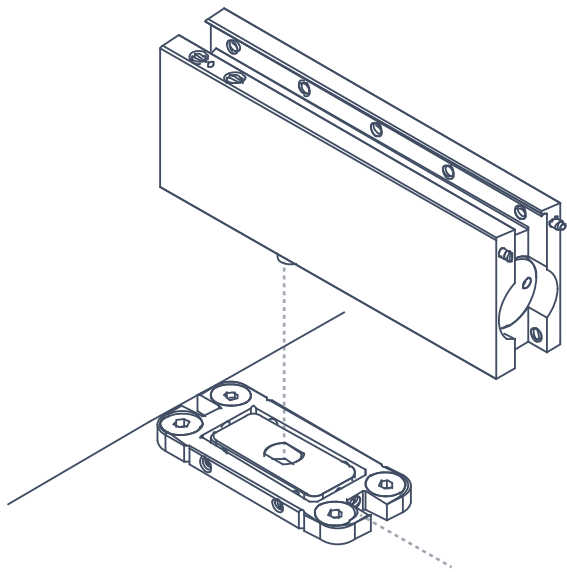
Use the template sticker provided in the box for easy measurement



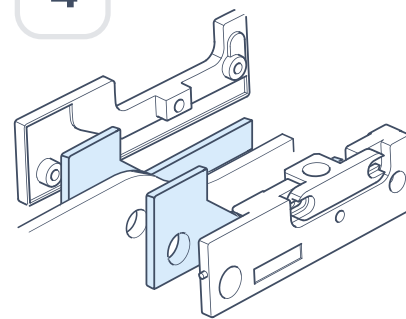
2



3

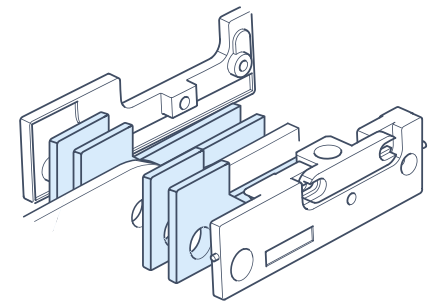


4



1/2" glass

Top Patch Assembly

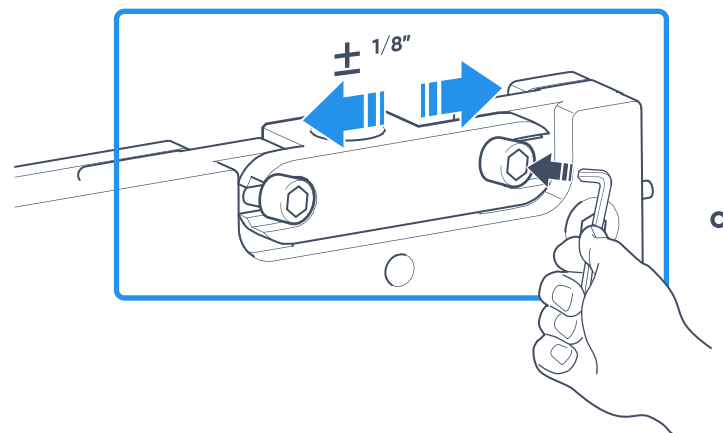
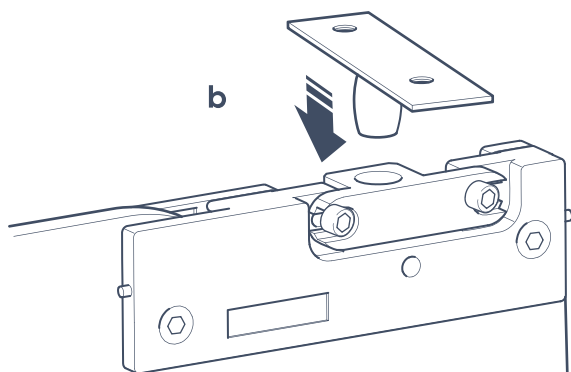


3/8" glass

Top Patch Assembly

5

Top Patch Assembly

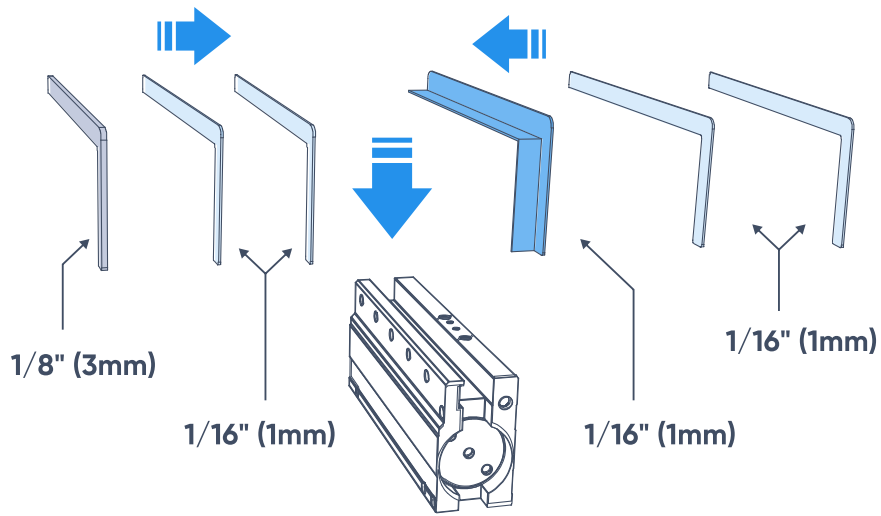




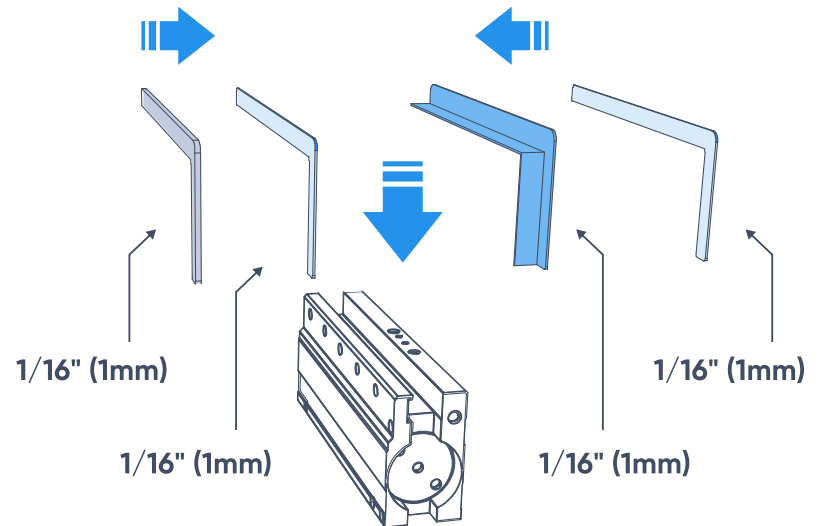
CGBF-100 KIT

Hydraulic patch kit installation manual for **CGS** Frameless swing door

5.1 Installation 3/8" glass

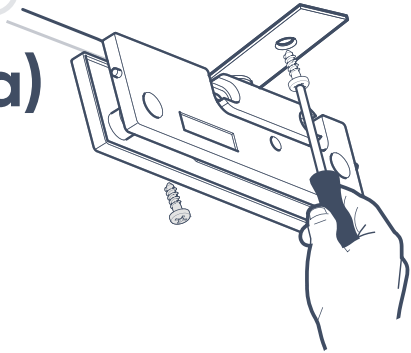


5.2 Installation 1/2" glass

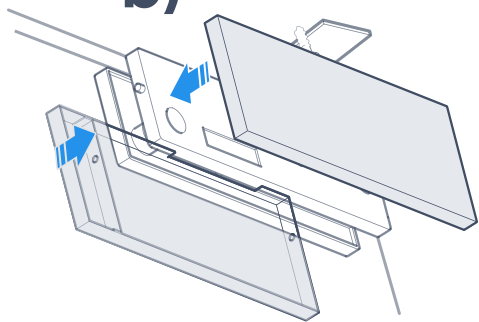


6

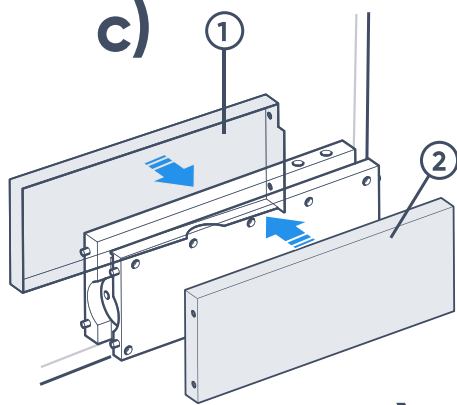
a)



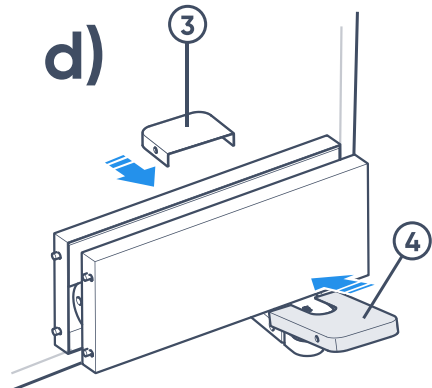
b)



c)

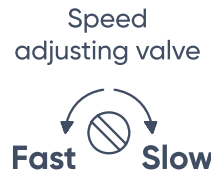


d)

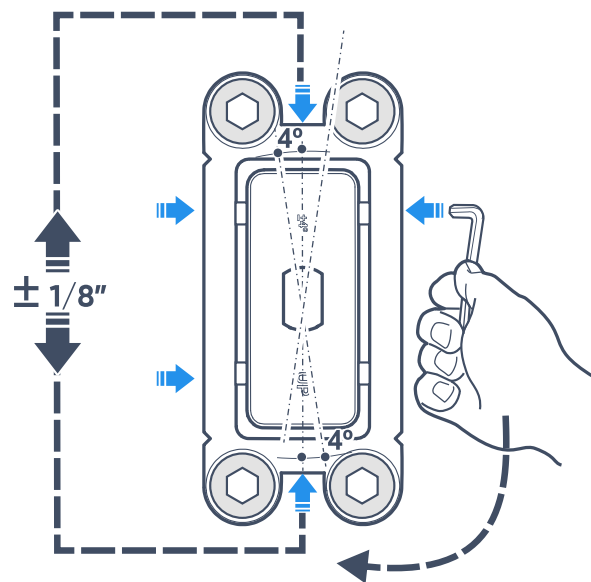
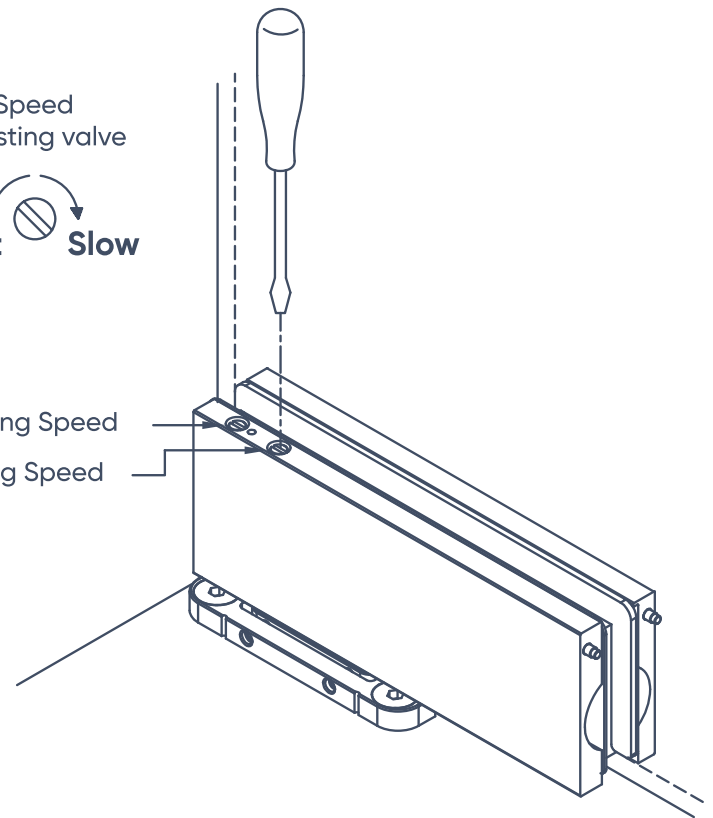


7

Adjustment



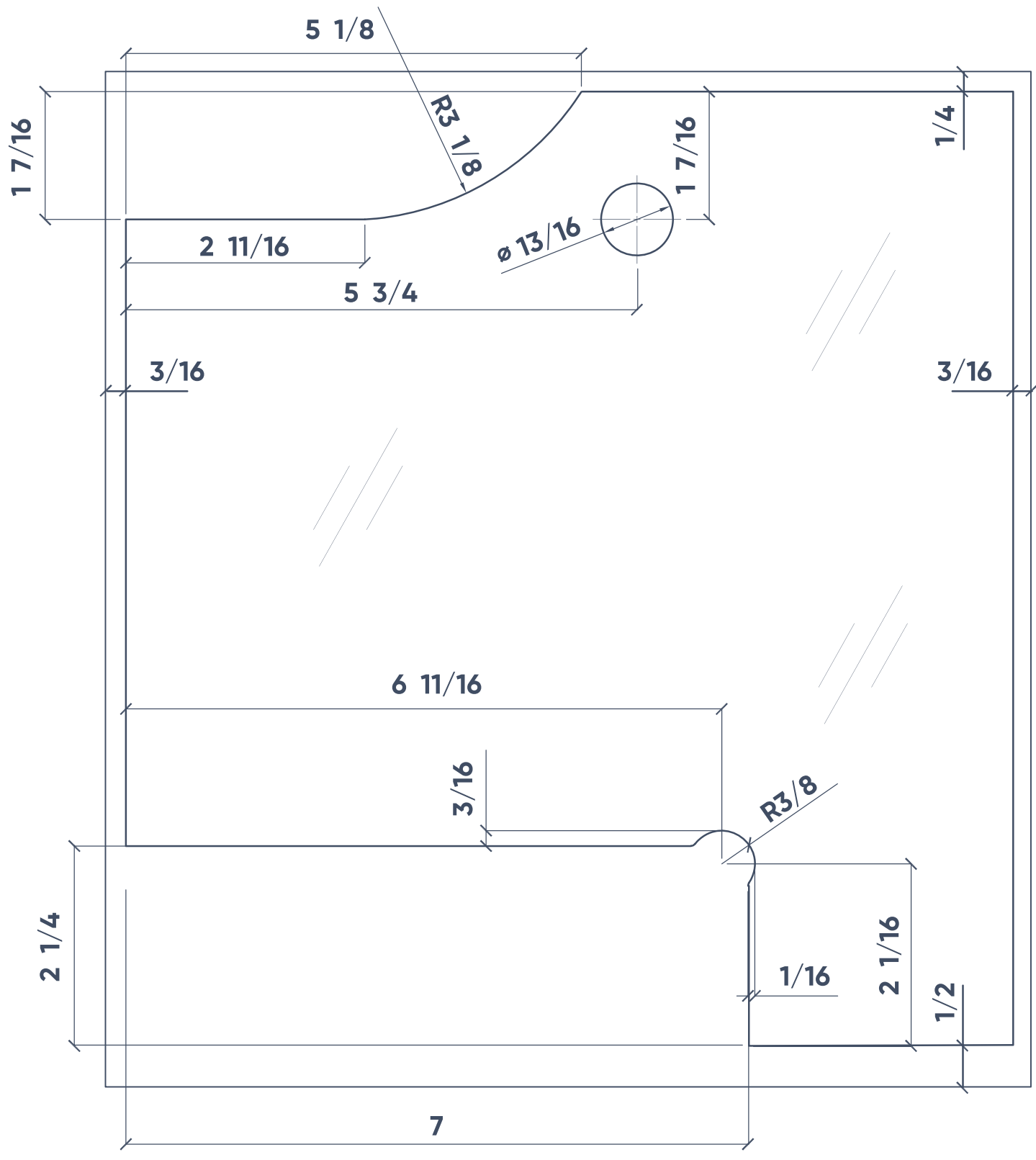
- 1: Latching Speed
- 2: Closing Speed





CGS Frameless Swing Glass Cutouts

Top Patch
SKU: CGTF



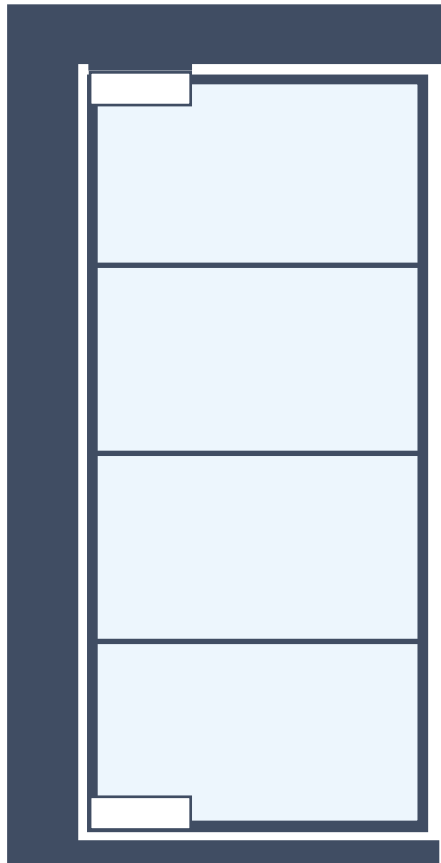
Hydraulic Bottom Patch
SKU: CGBF



CGBF-100 KIT

Hydraulic patch kit installation manual for **CGF** Framed swing door

CGF Swing

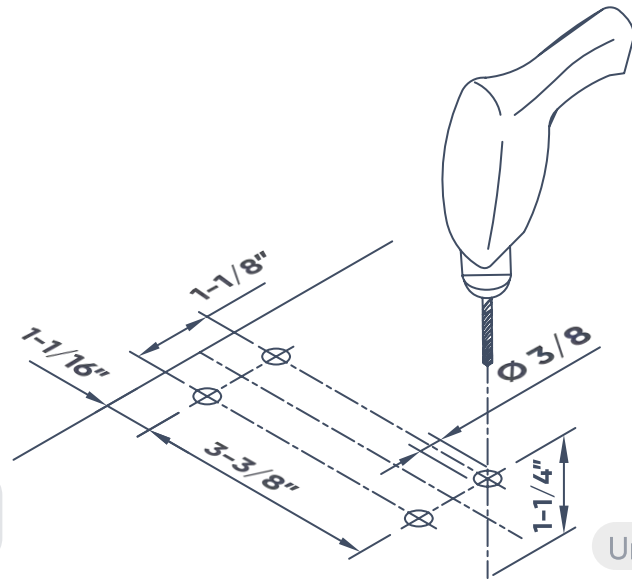


3/8"

39-3/8" Max

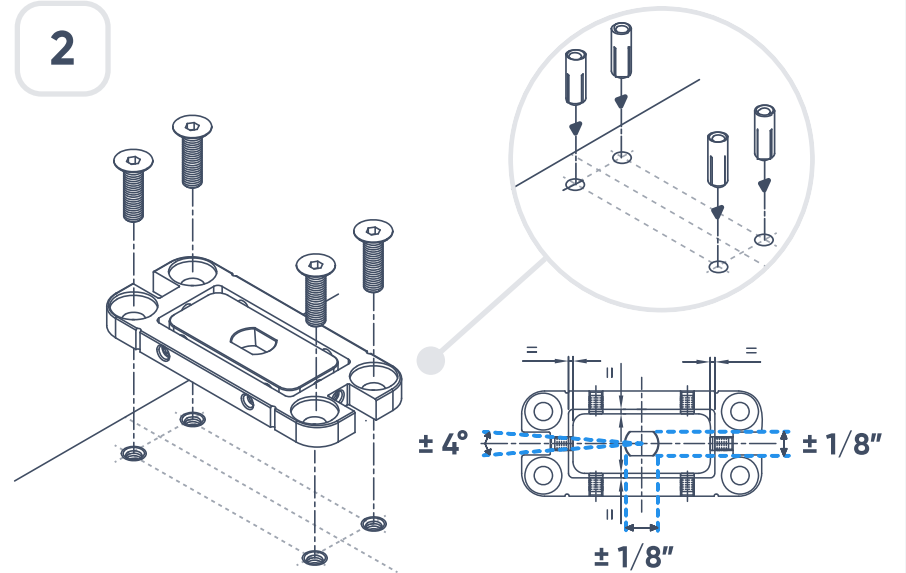
Max
≤220 lbs

1

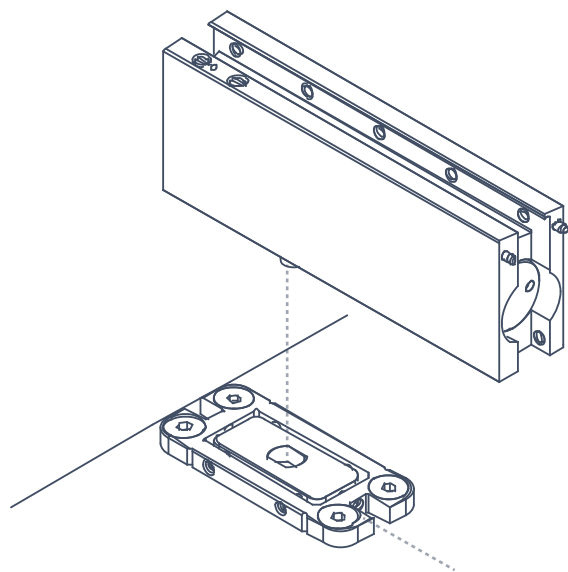


Unit: inch

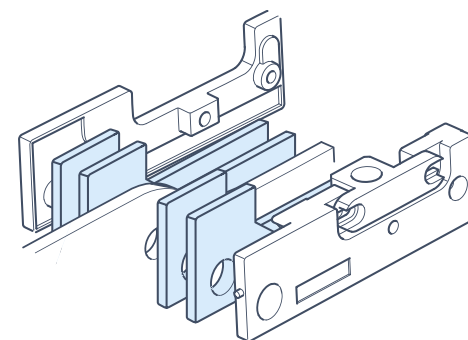
2



3



4

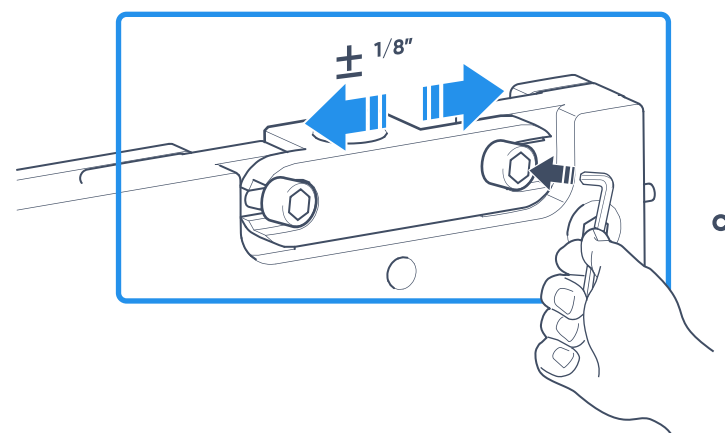
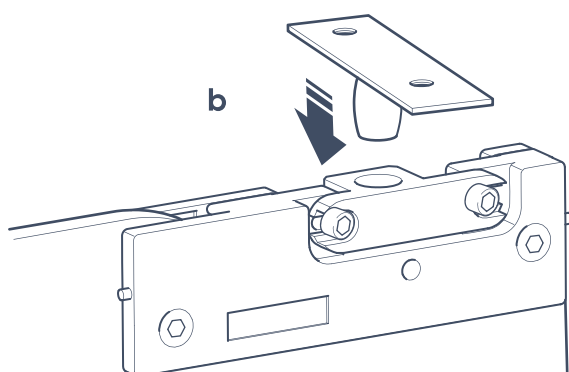


3/8" glass

Top Patch Assembly

5

Top Patch Assembly

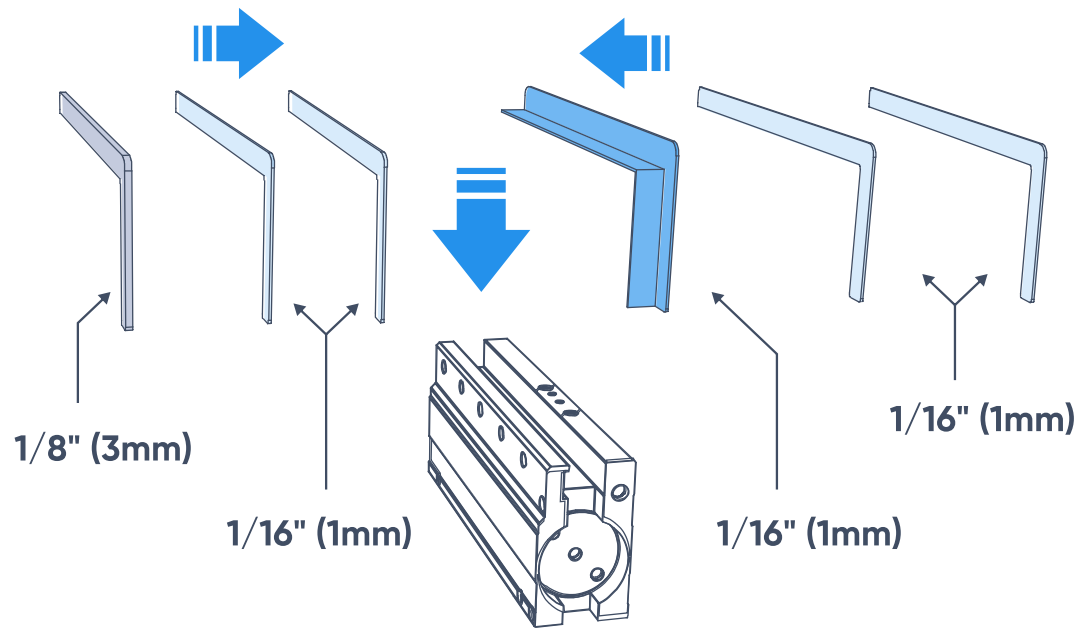




CGBF-100 KIT

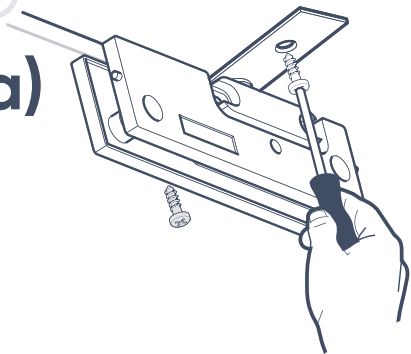
Hydraulic patch kit installation manual for **CGF** Framed swing door

5.1 Installation 3/8" glass

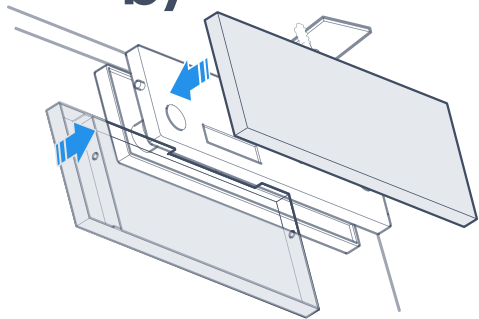


6

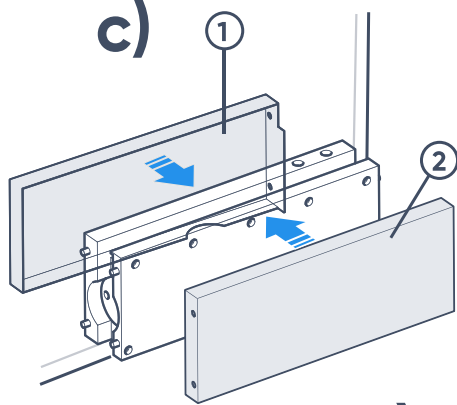
a)



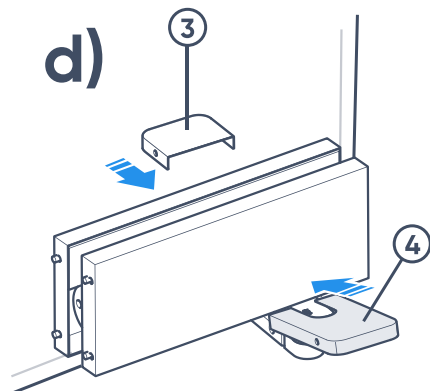
b)



c)

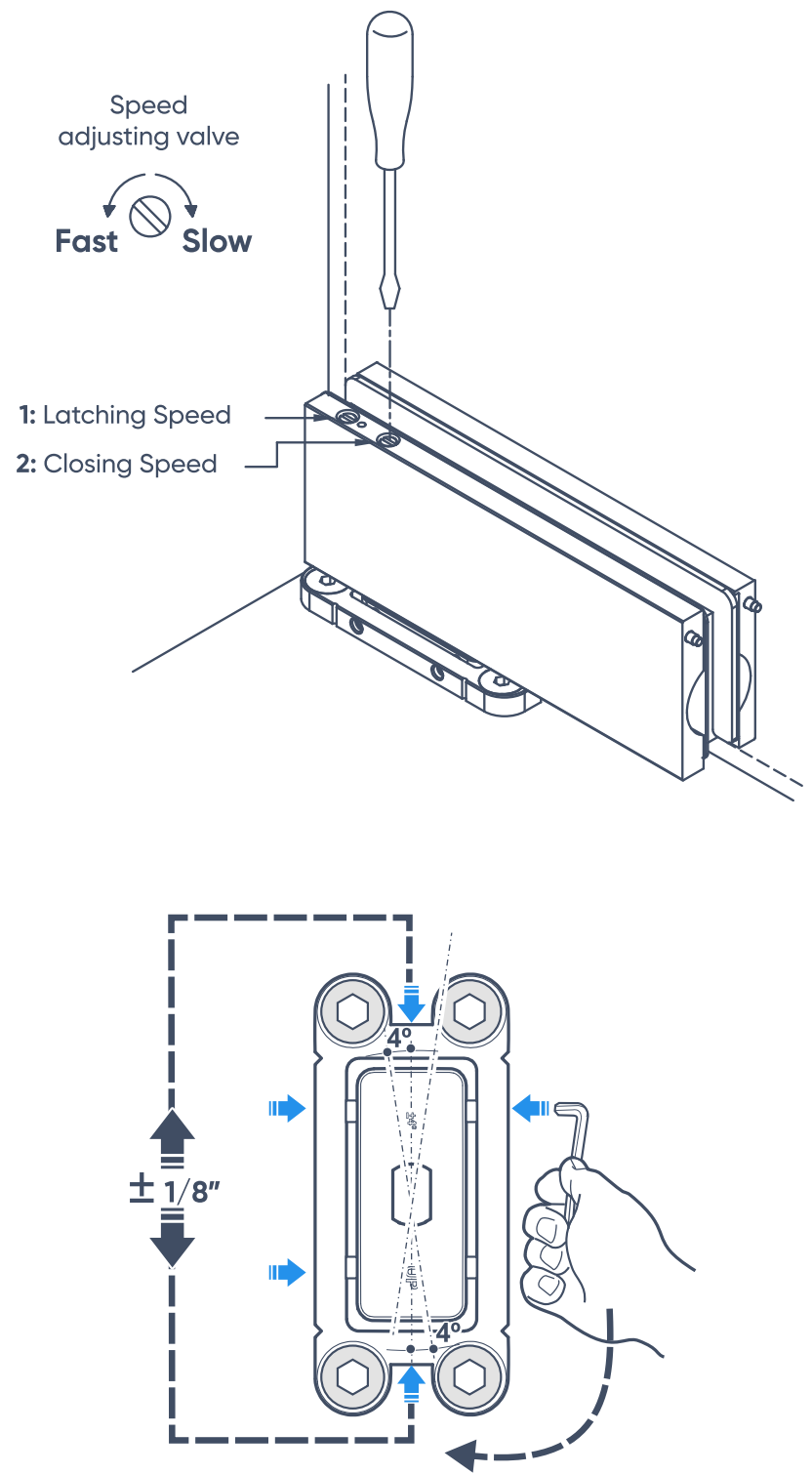


d)



7

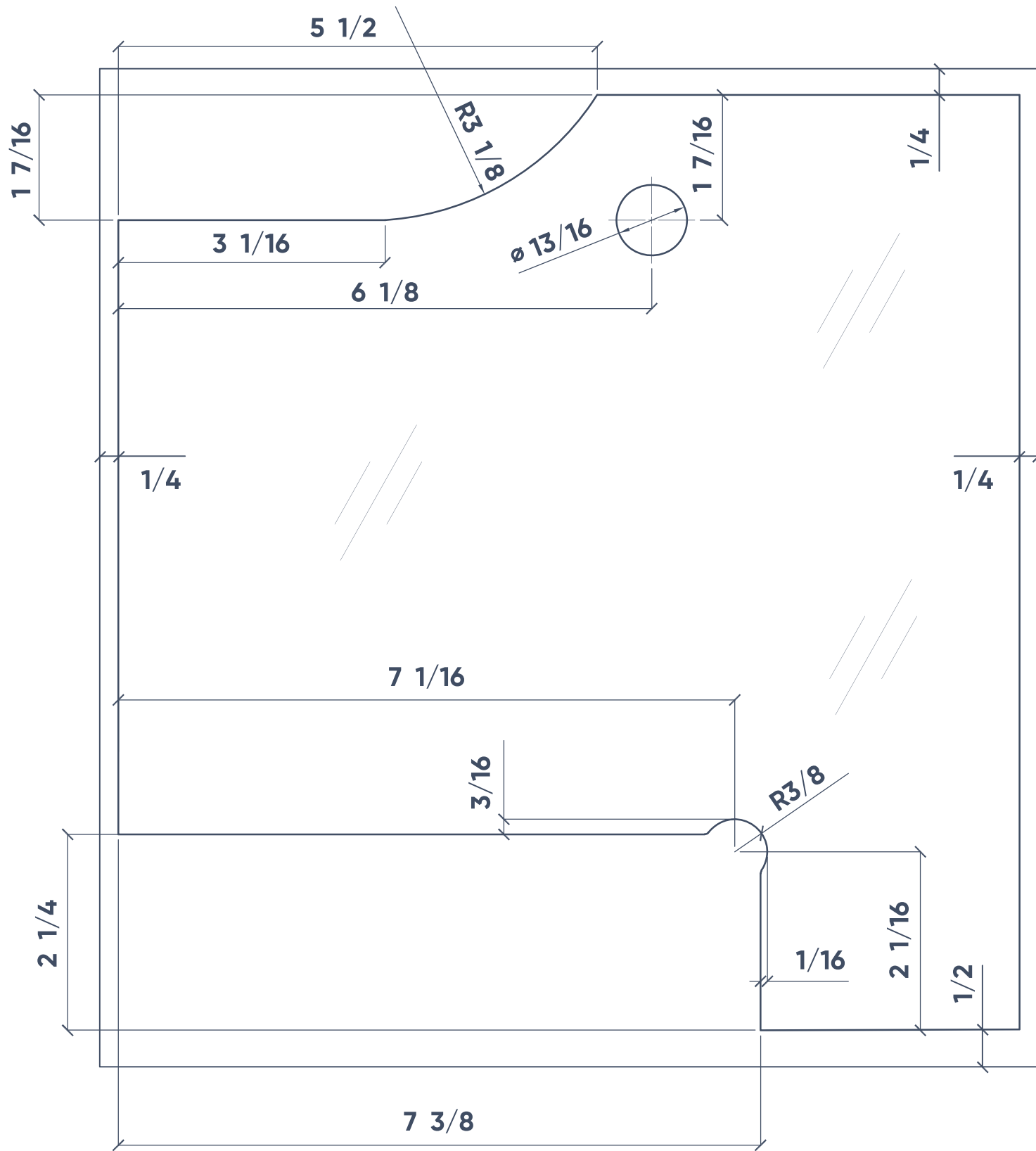
Adjustment





CGF Framed Swing Glass Cutouts

Top Patch
SKU: CGTF



Hydraulic Bottom Patch
SKU: CGBF