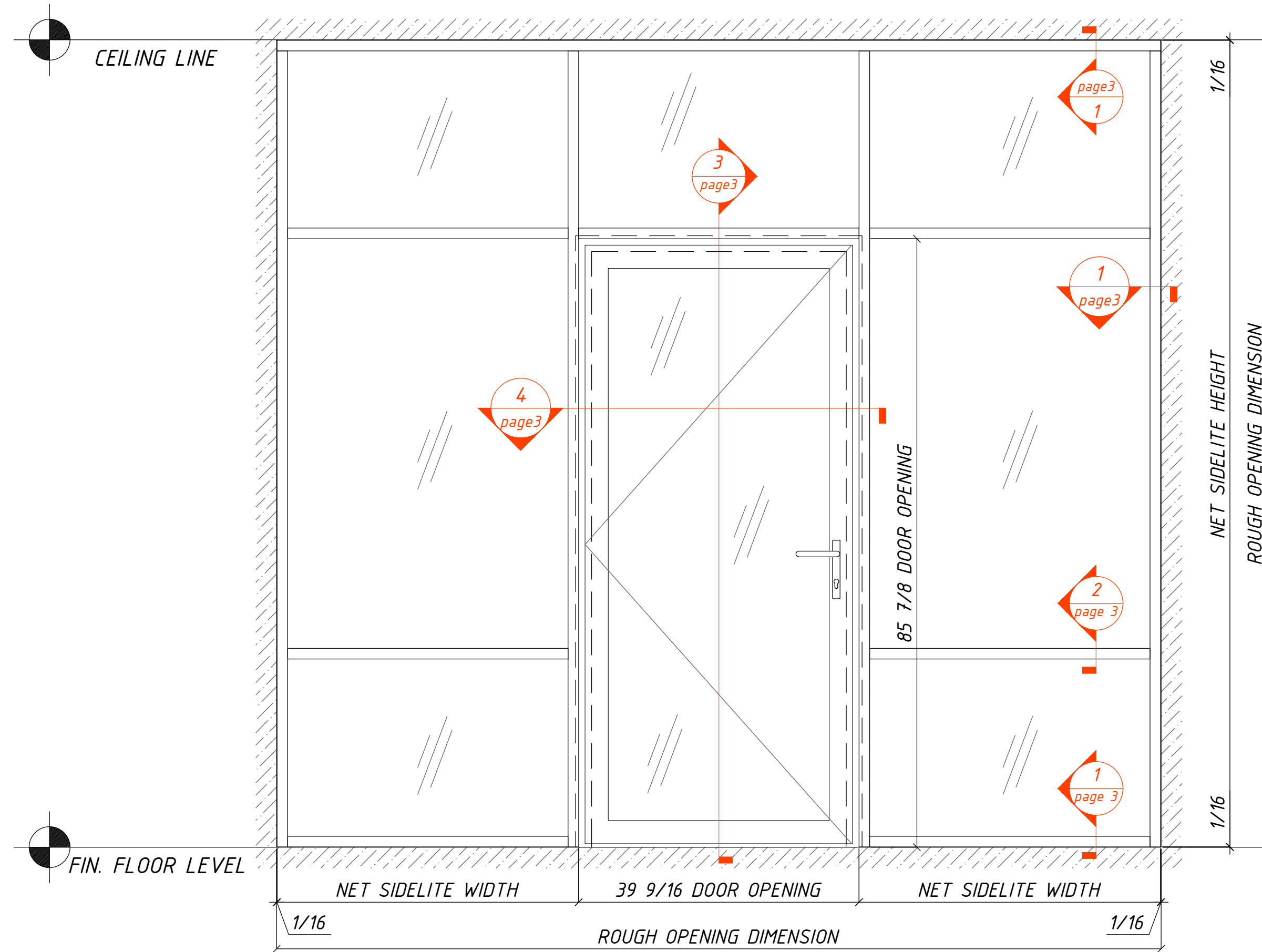
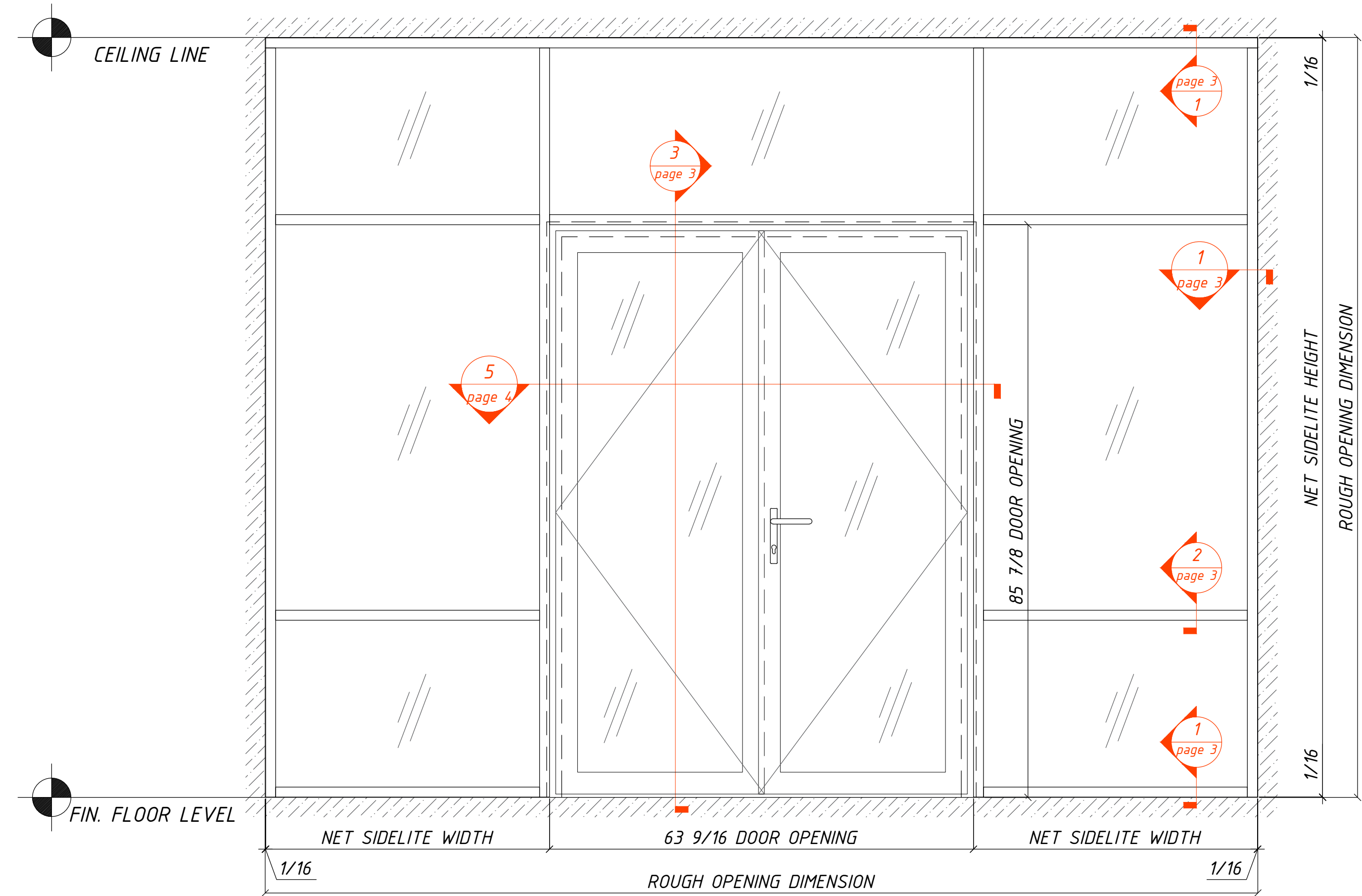


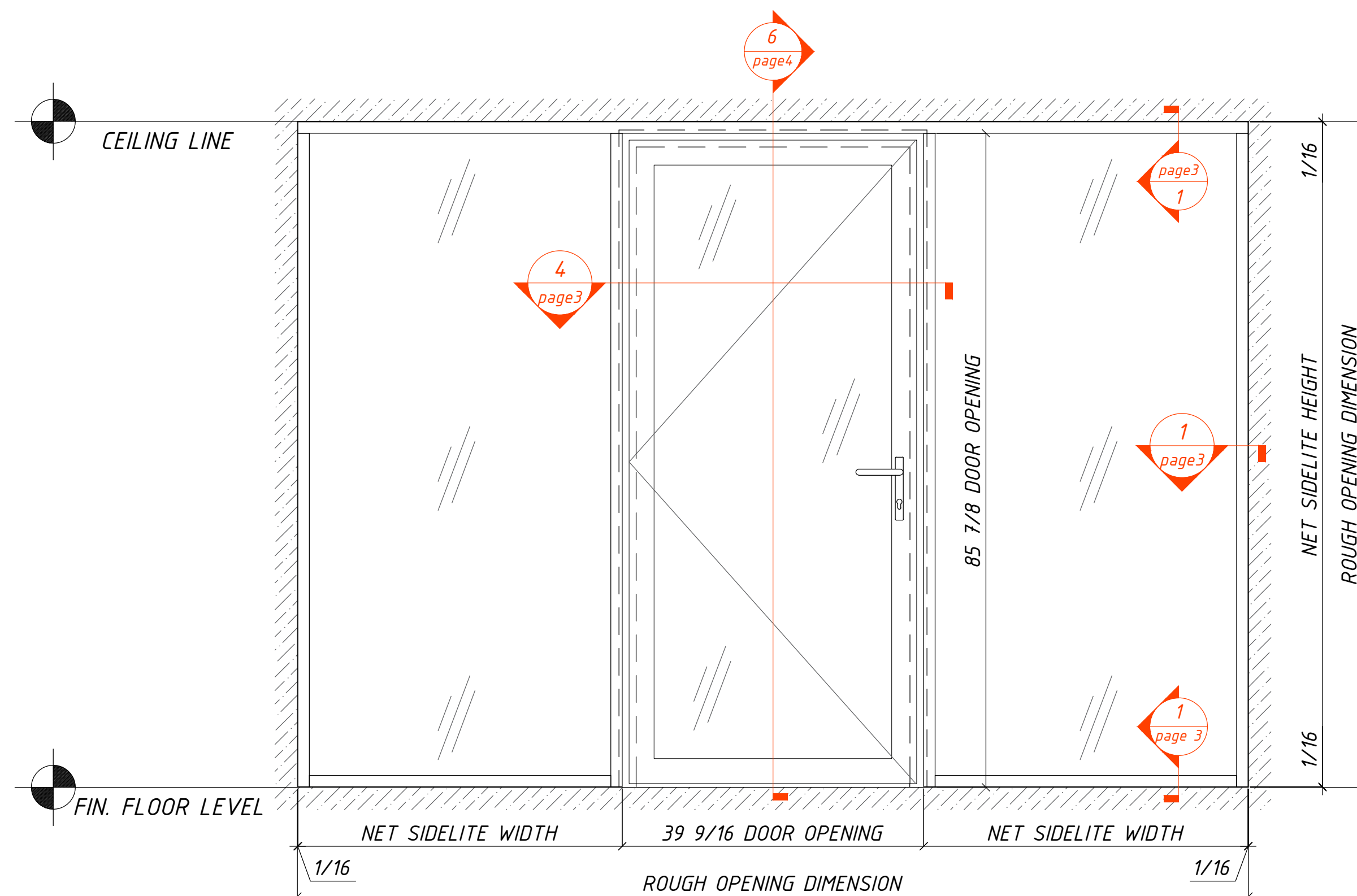
**PARTITION WITH A SINGLE SWING FRAMED DOOR
WITH A TRANSOM**



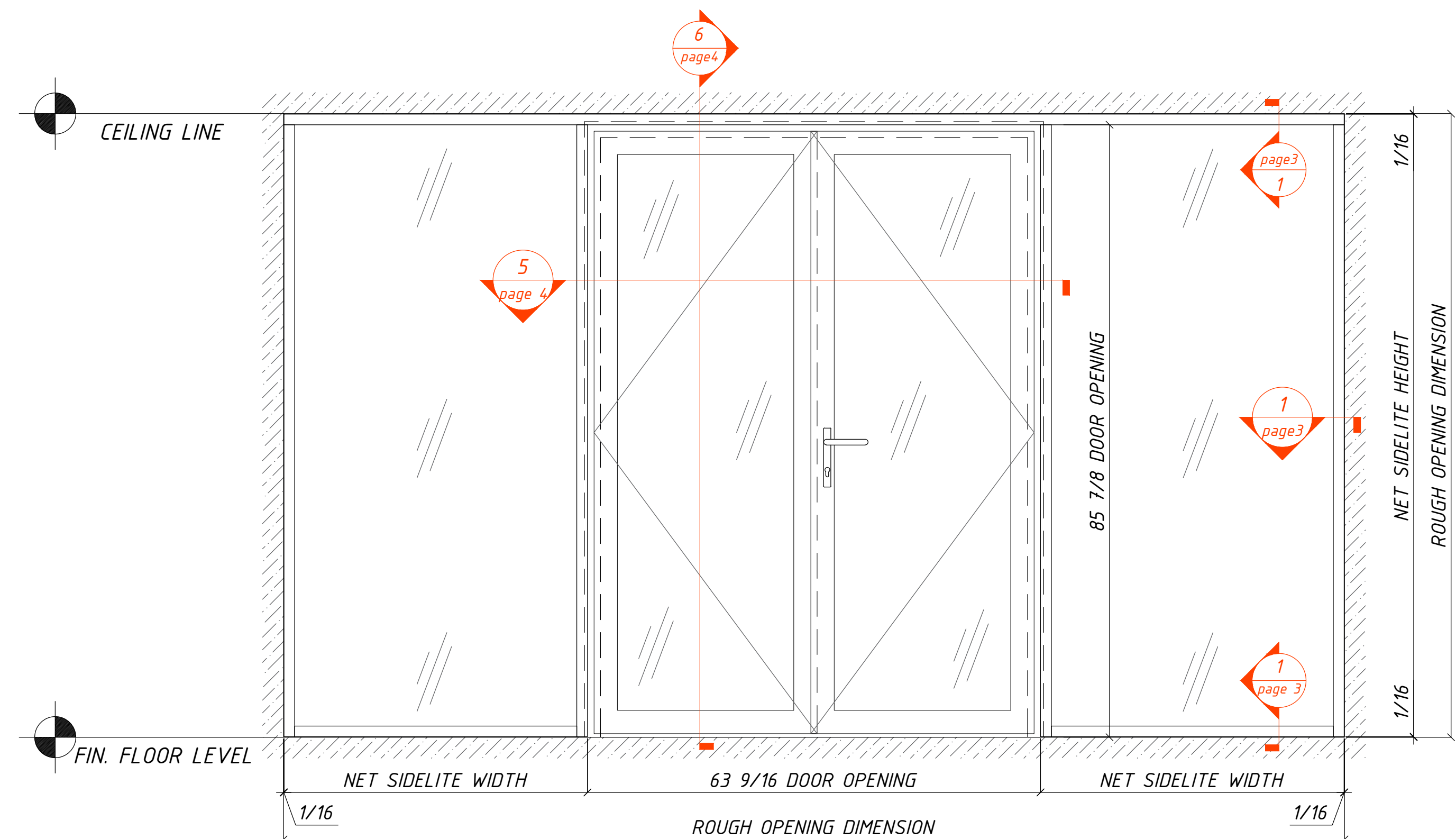
**PARTITION WITH A DOUBLE SWING FRAMED DOOR
WITH A TRANSOM**



**PARTITION WITH A SINGLE SWING FRAMED DOOR
W/O A TRANSOM**



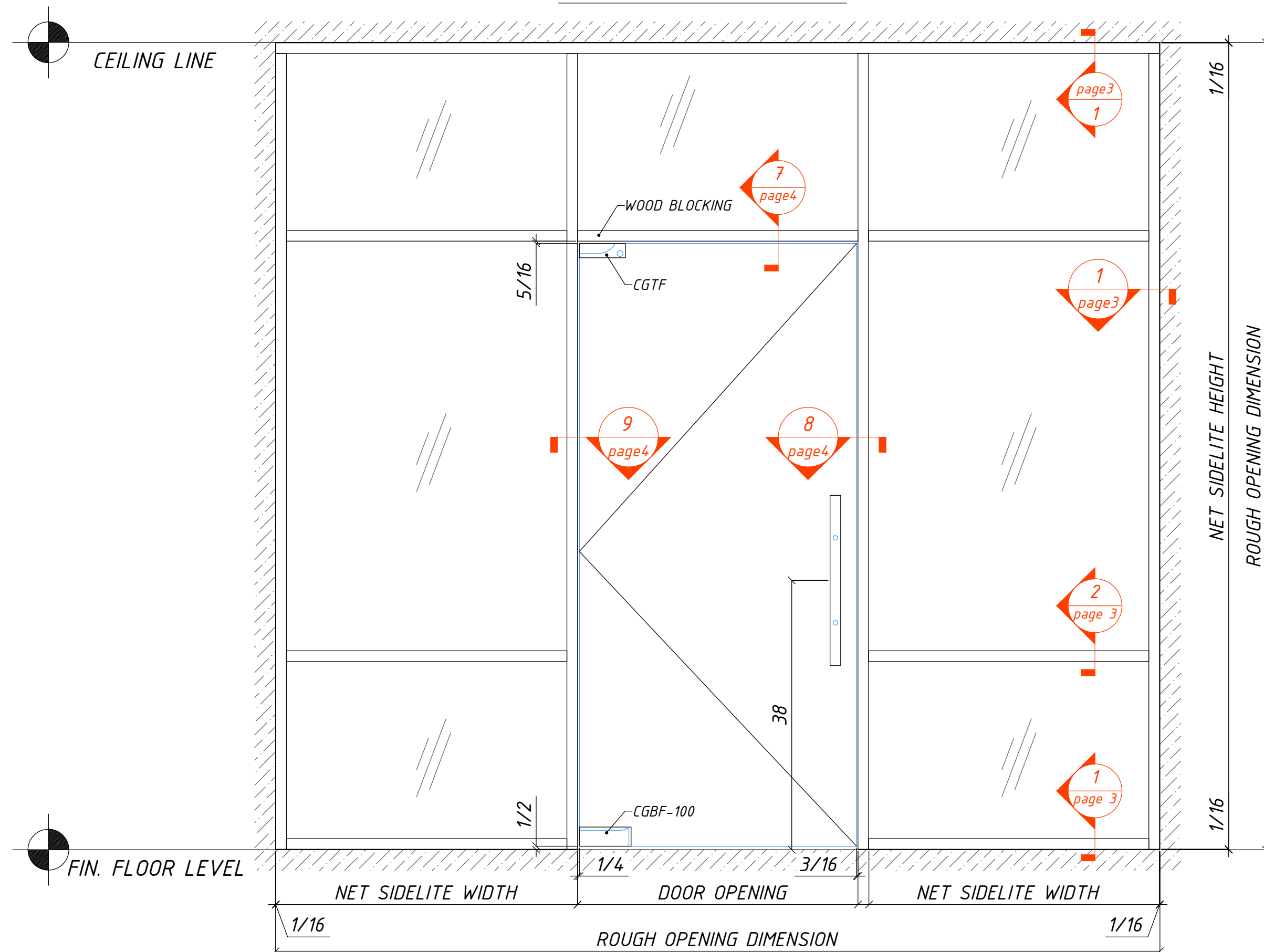
**PARTITION WITH A DOUBLE SWING FRAMED DOOR
W/O A TRANSOM**



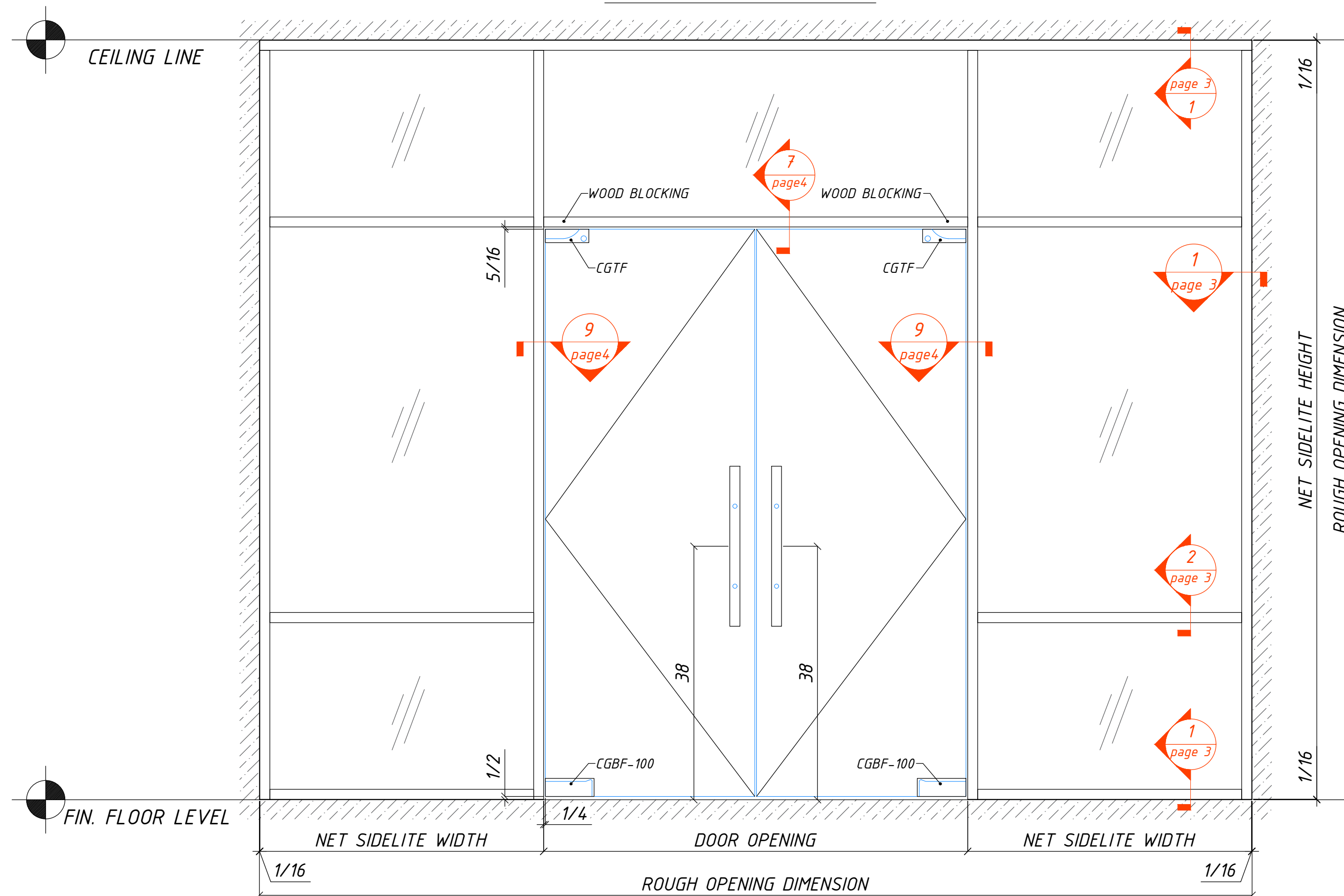
KOMPAS FRAMED DOORS HAVE FIXED SIZES.
KOMPAS SINGLE SWING DOOR - 36"W X 84"H - 92 LBS
KOMPAS DOUBLE SWING DOOR - 60"W X 84"H - 134 LBS

Engineering department	Technical reference	KOMPAS ALUMINUM AND GLASS PARTITION	
CRYSTALIA GLASS architectural glass & metal 132 32ND STREET BROOKLYN, NY 11232 (347) 601-20-19 SALES@CRYSTALIAGLASS.COM	Created by Daniel B. Approved by	ELEVATIONS	Date of issue
			Drawing title 1

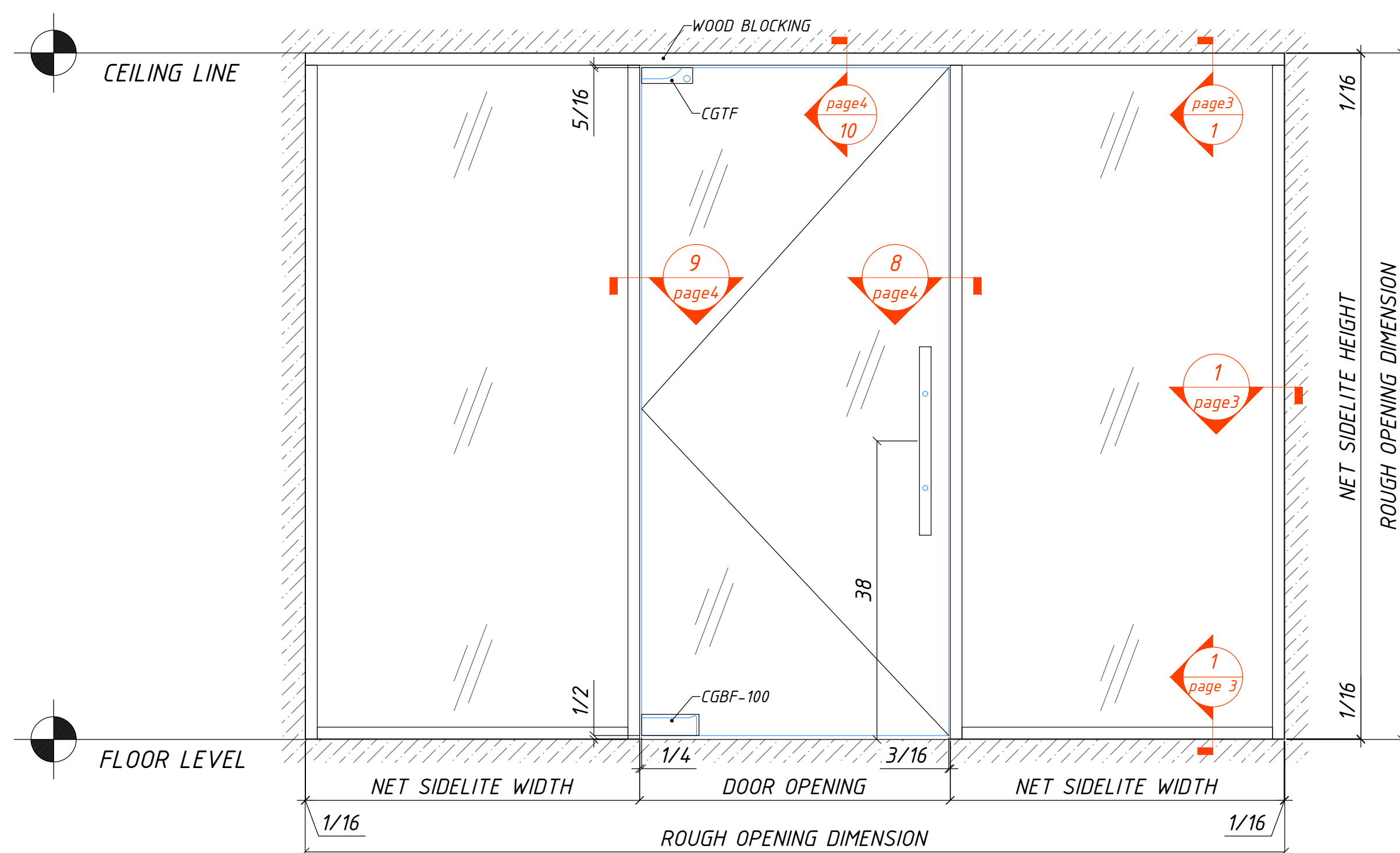
PARTITION WITH A SINGLE SWING FRAMELESS DOOR WITH A TRANSOM



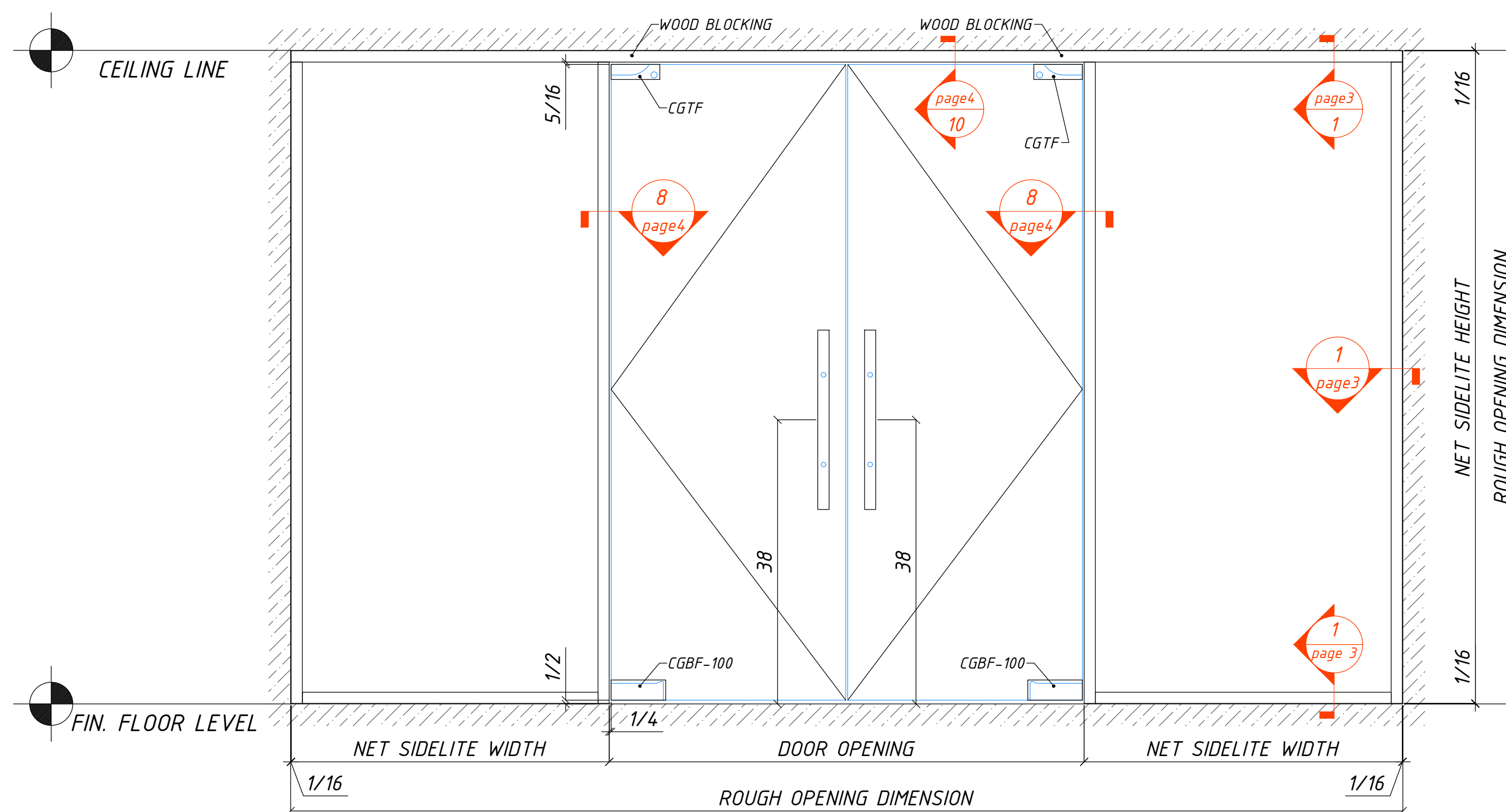
PARTITION WITH A DOUBLE SWING FRAMELESS DOOR WITH A TRANSOM



PARTITION WITH A SINGLE SWING FRAMELESS DOOR W/O A TRANSOM



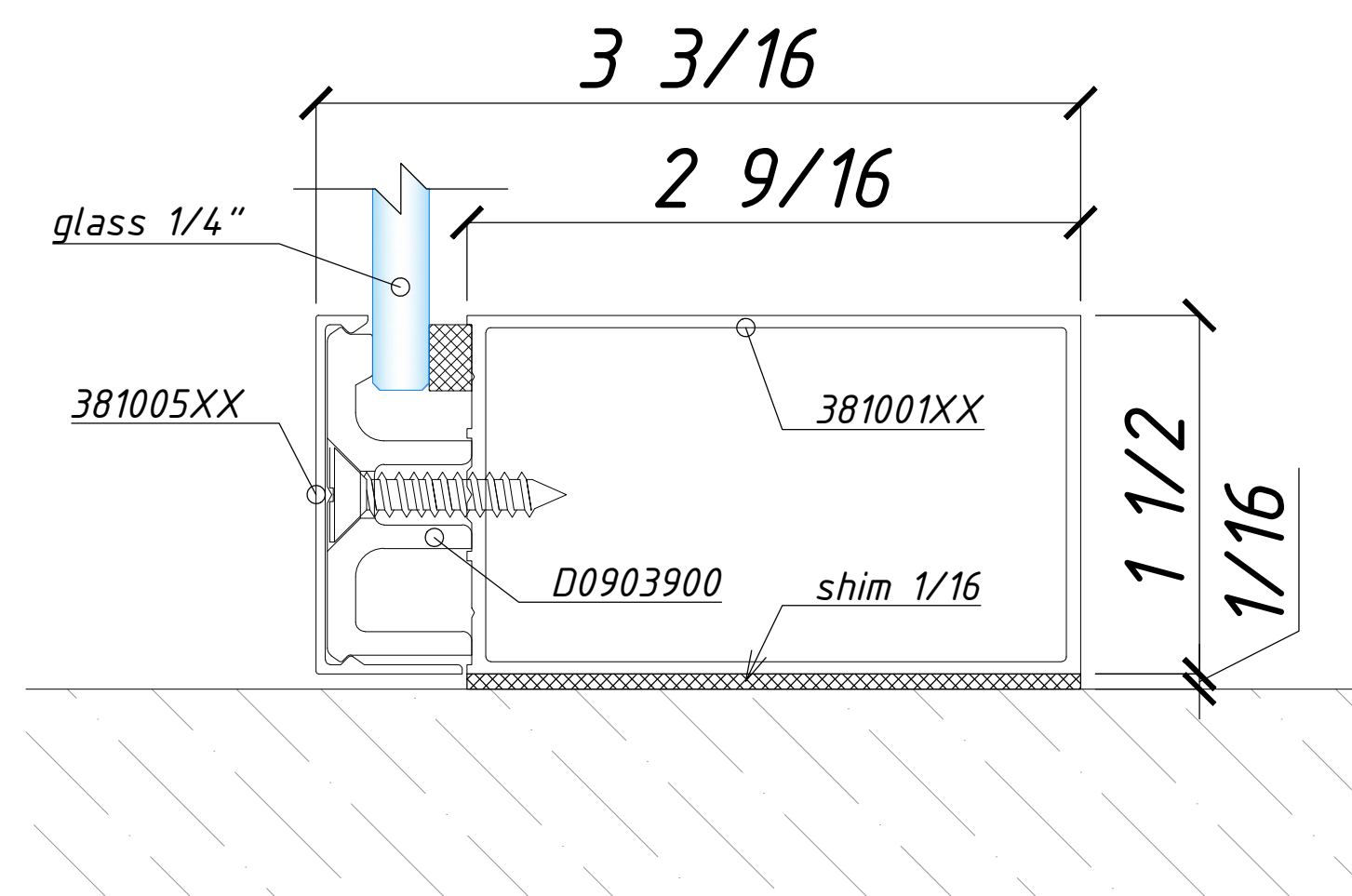
PARTITION WITH A DOUBLE SWING FRAMELESS DOOR W/O A TRANSOM



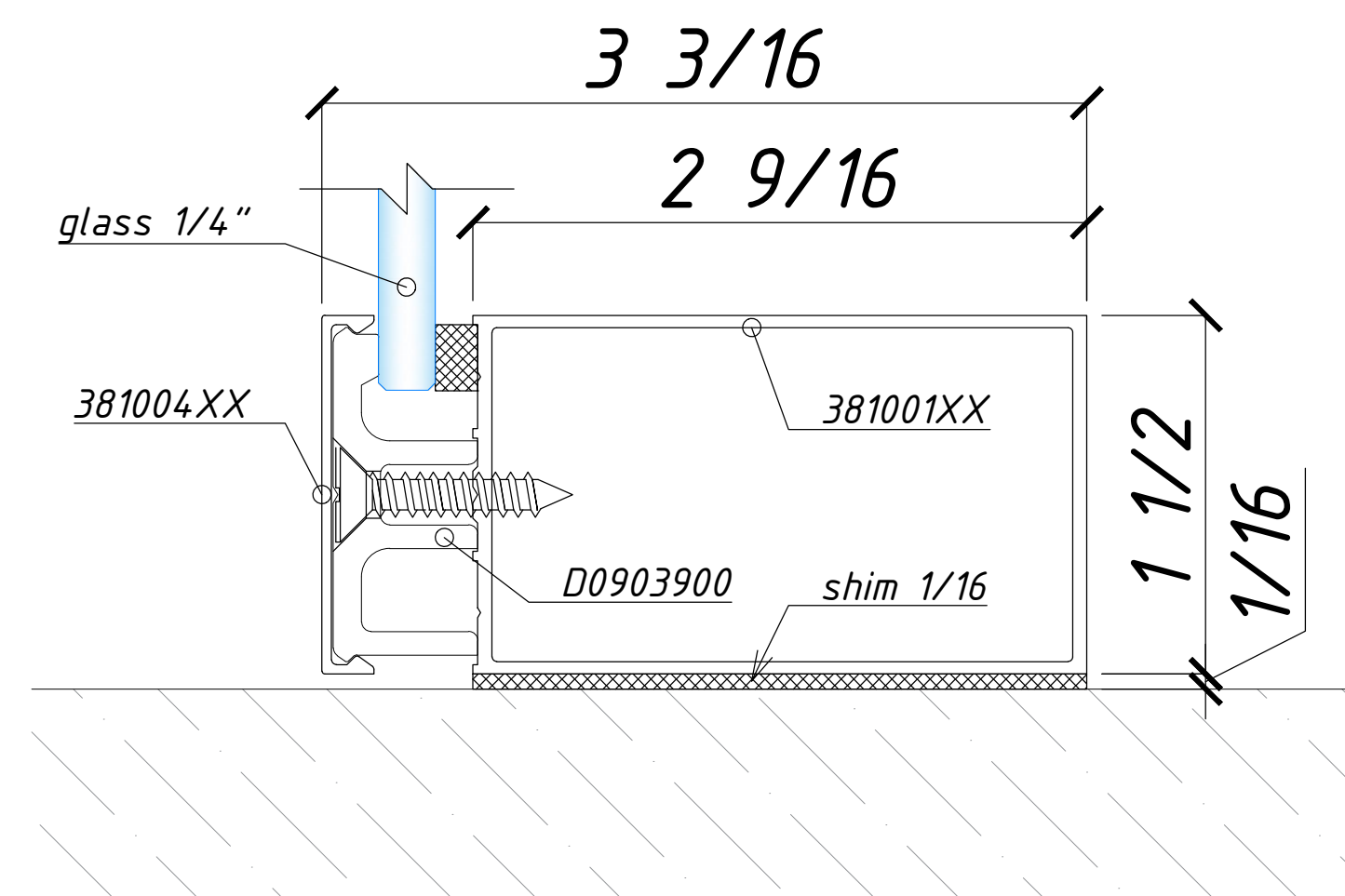
STANDARD FRAMELESS GLASS DOOR (HEIGHT) GUIDELINES
 3/8" TEMPERED GLASS = 84" RECOMMENDED MAX HEIGHT
 1/2" TEMPERED GLASS = 102" RECOMMENDED MAX HEIGHT
 SUITABLE DOOR WEIGHT 220 LBS

Engineering department	Technical reference	KOMPAS ALUMINUM AND GLASS PARTITION	
CRYSTALIA GLASS architectural glass & metal	Created by Daniel B.	ELEVATIONS	
132 32ND STREET BROOKLYN, NY 11232 (347) 601-20-19 SALES@CRYSTALIAGLASS.COM	Approved by		
		Date of issue	Drawing title
			2

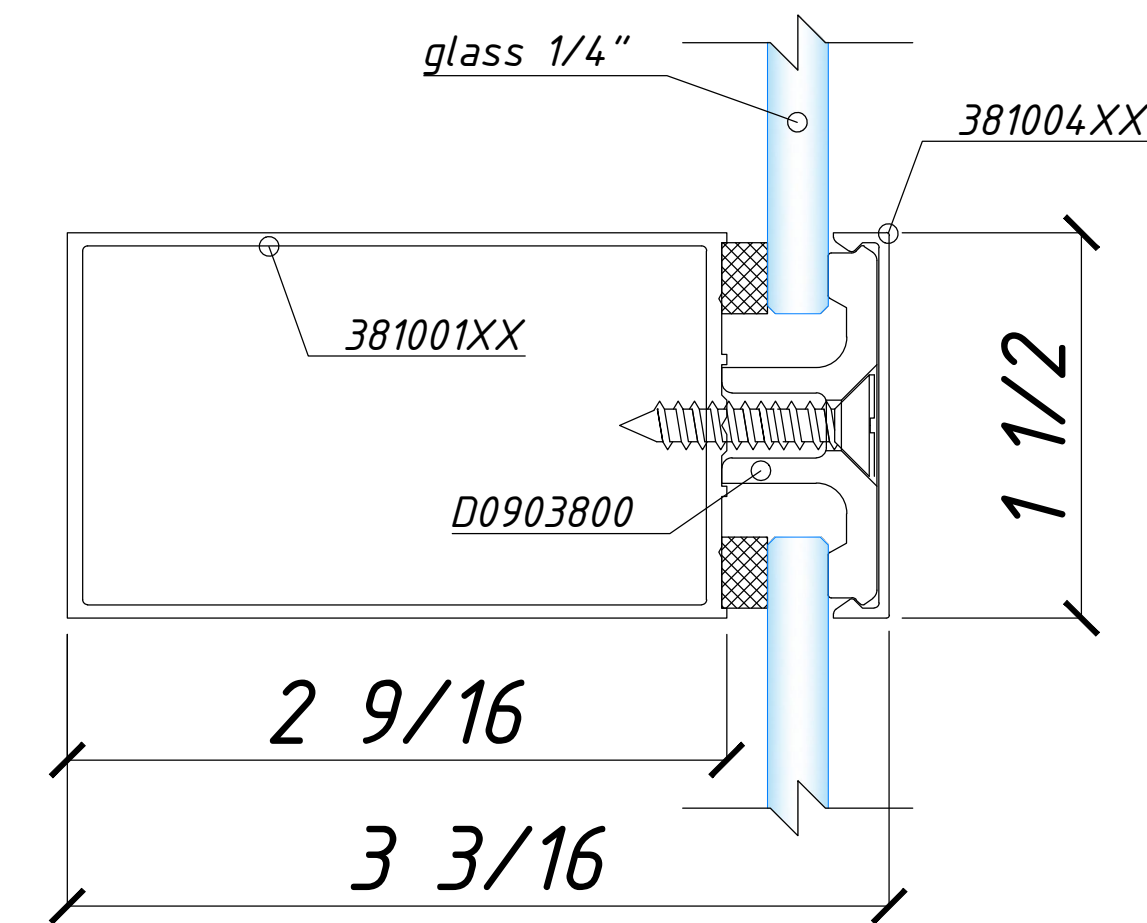
1-1
OPTION A



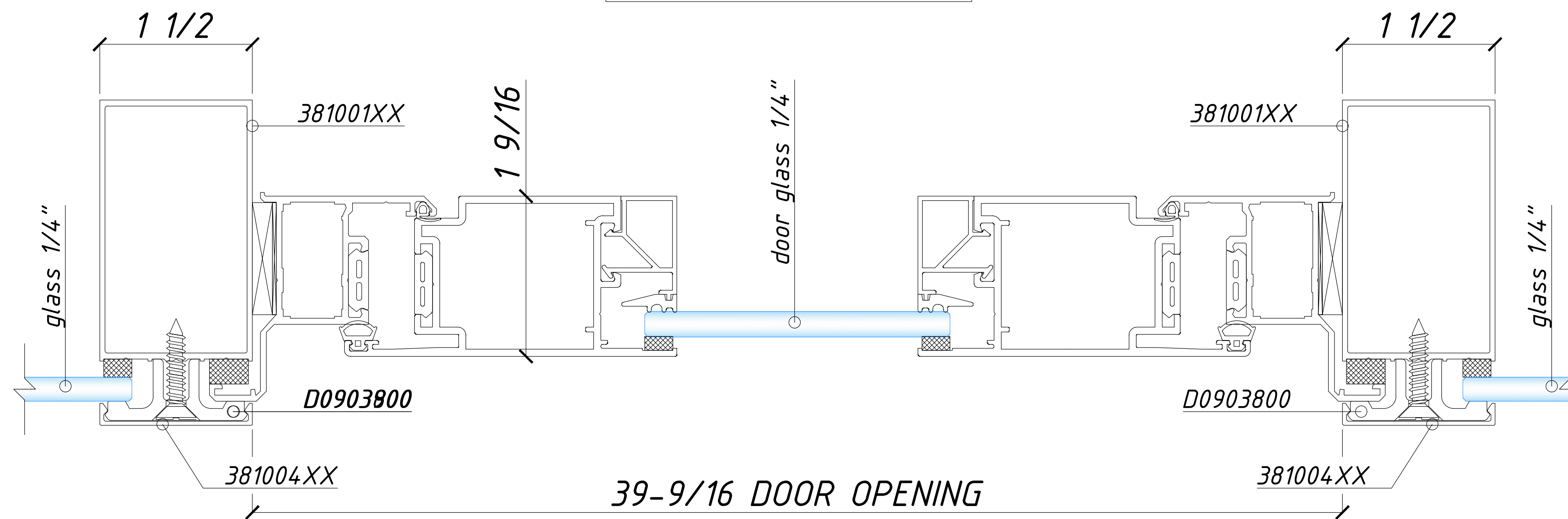
1-1
OPTION B



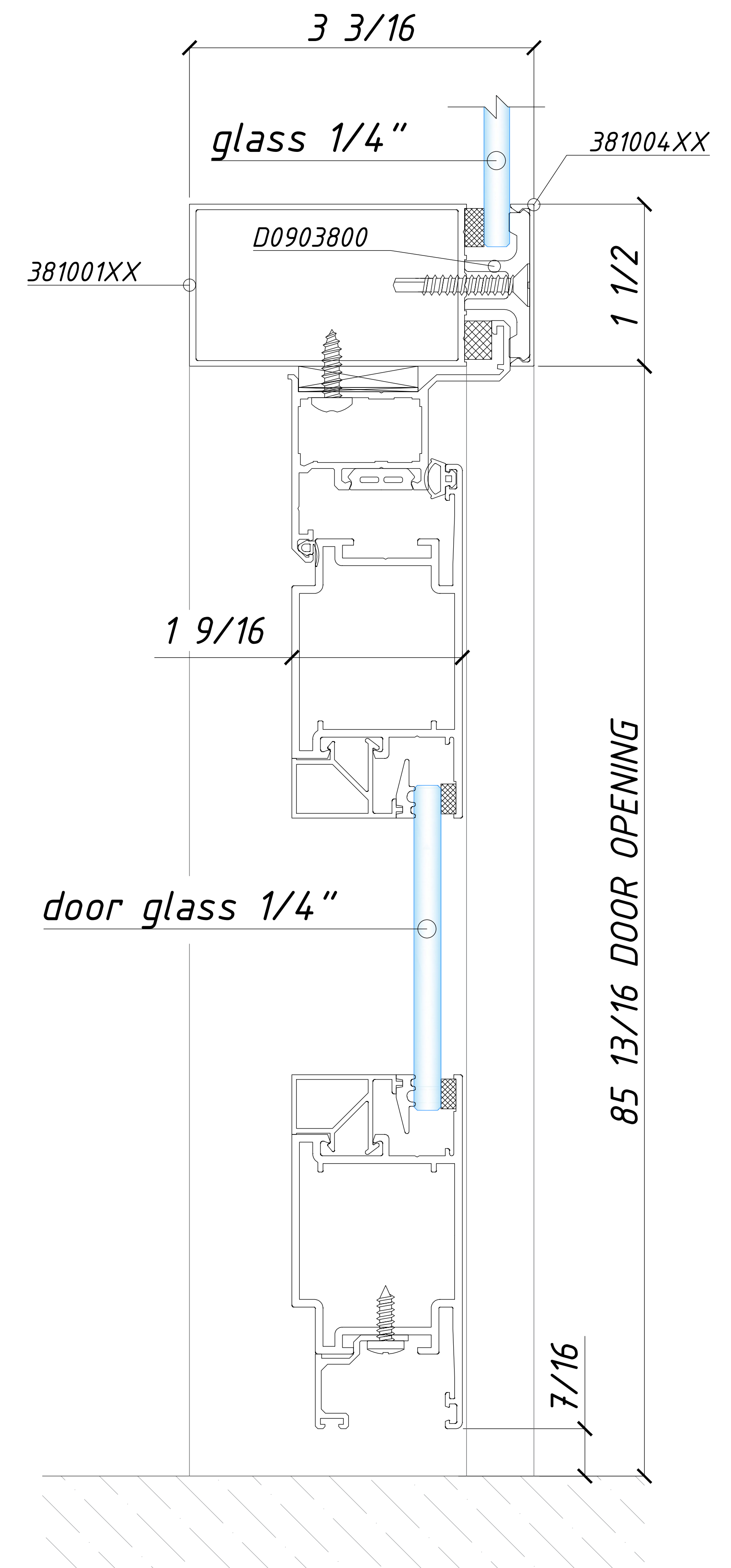
2-2



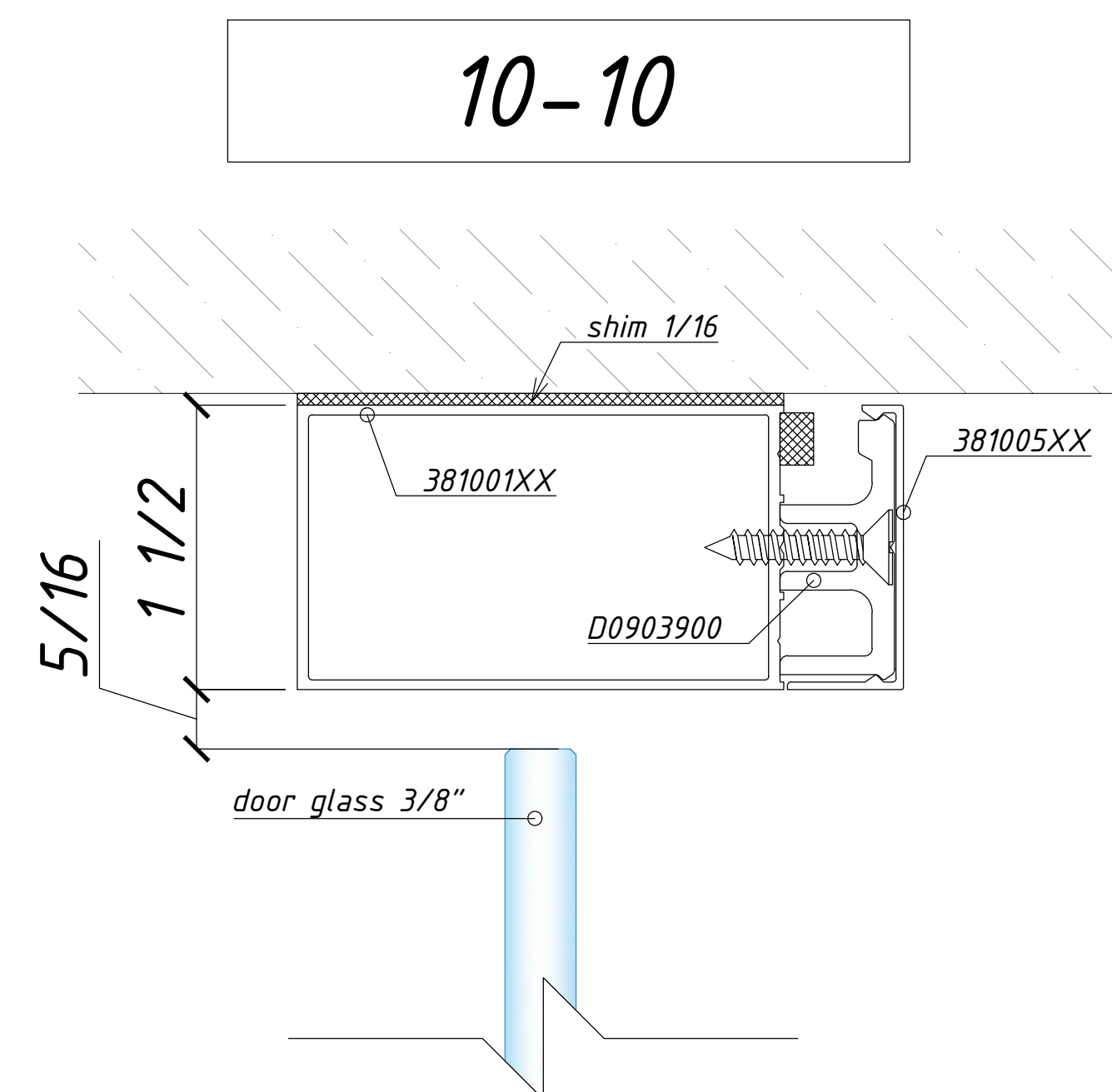
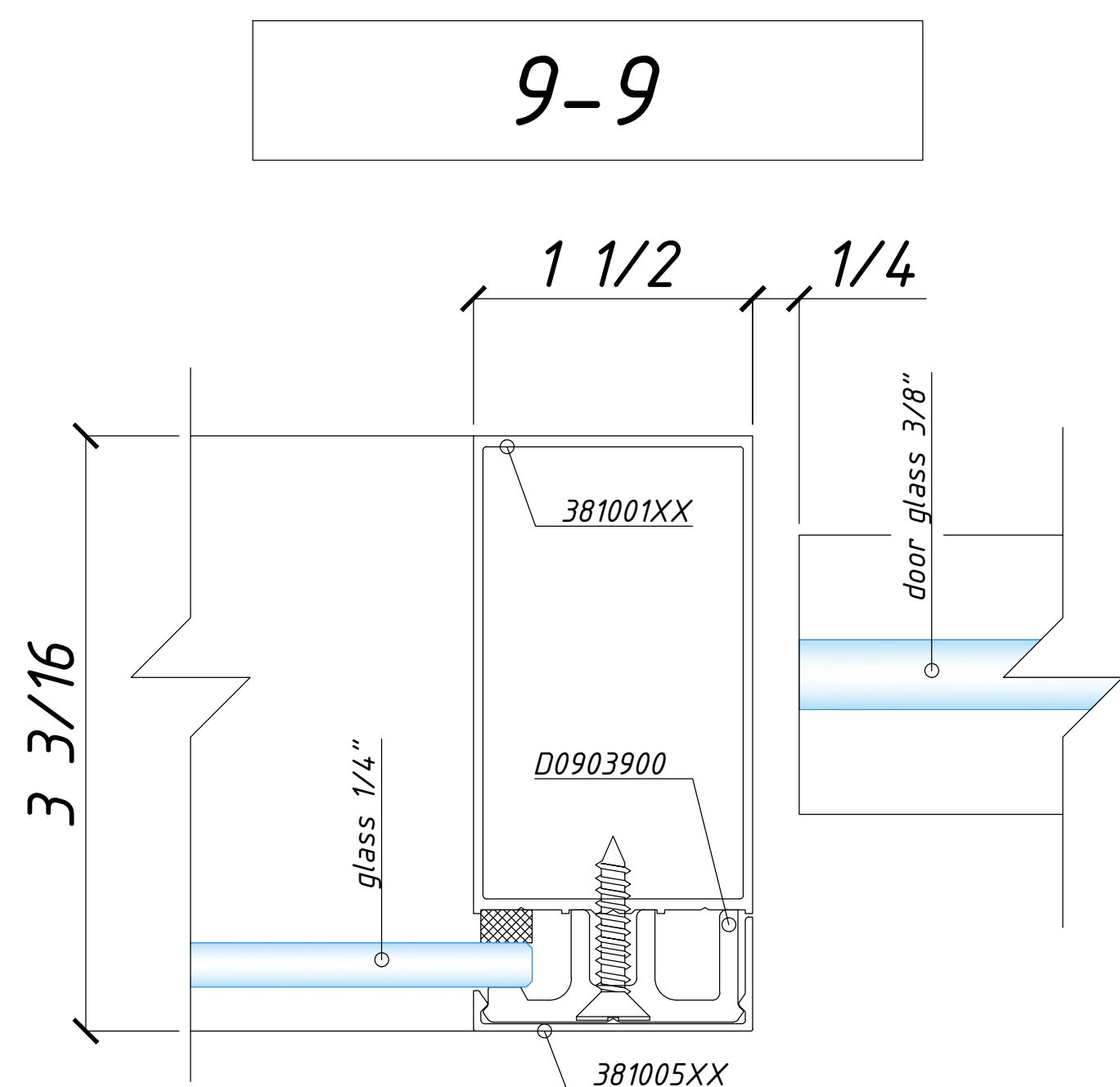
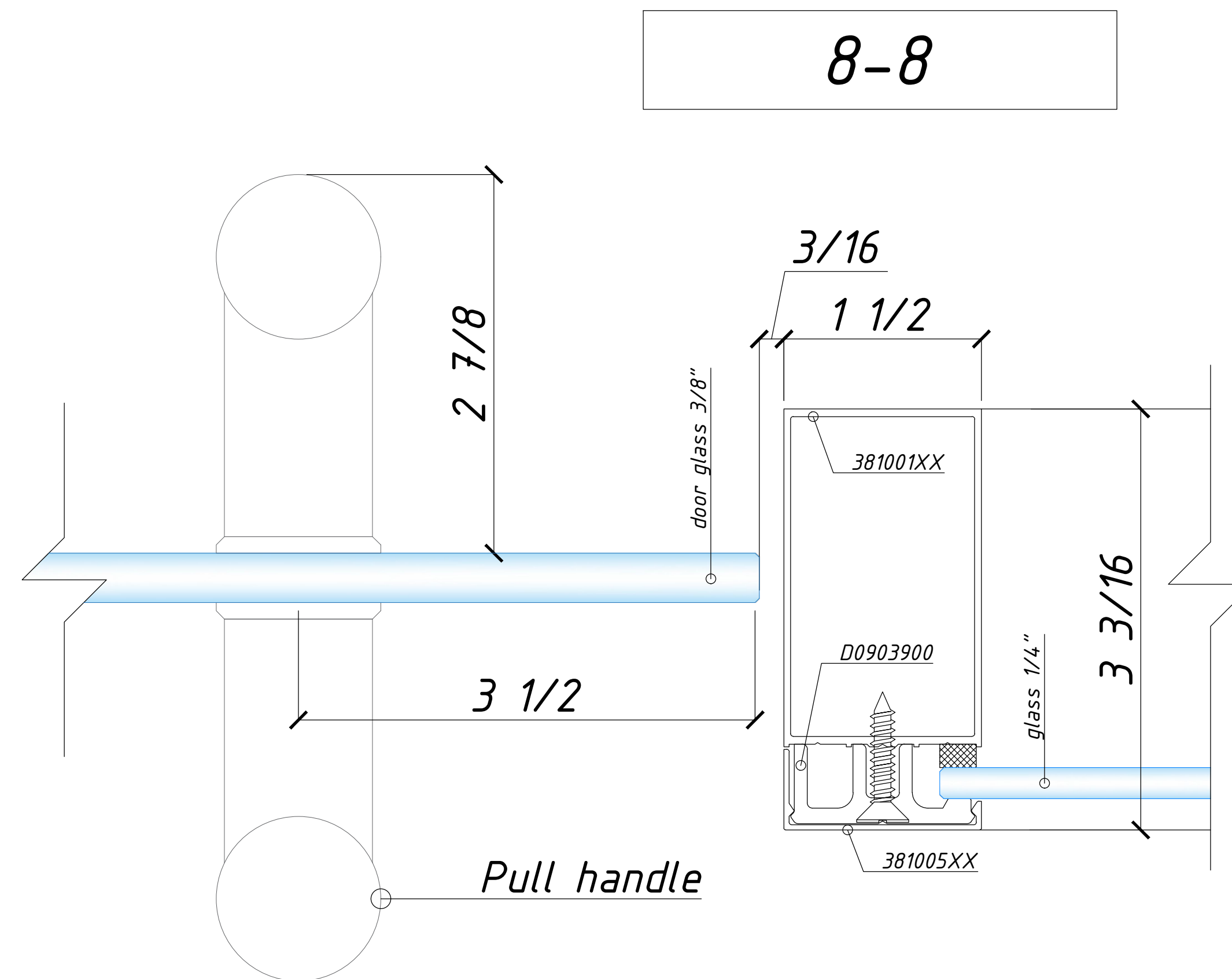
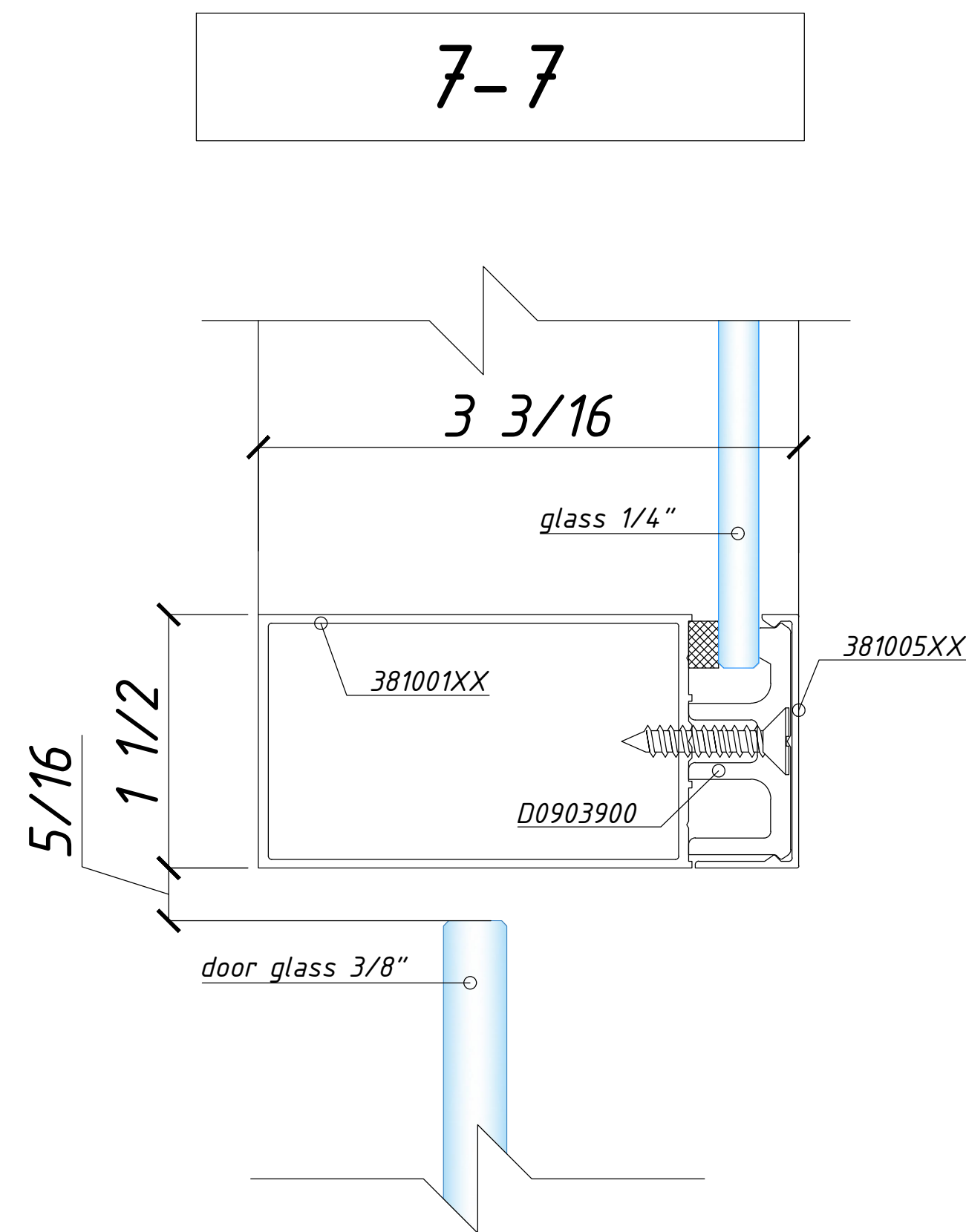
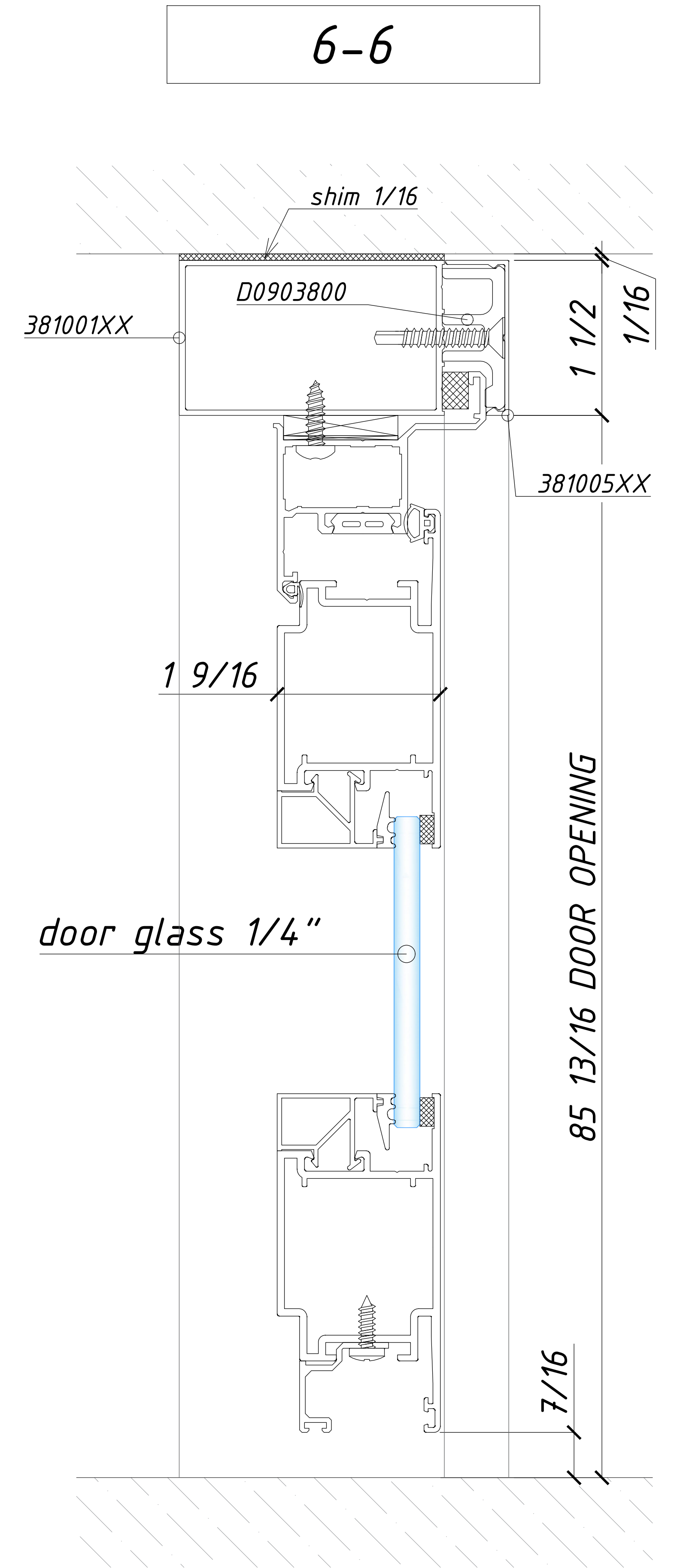
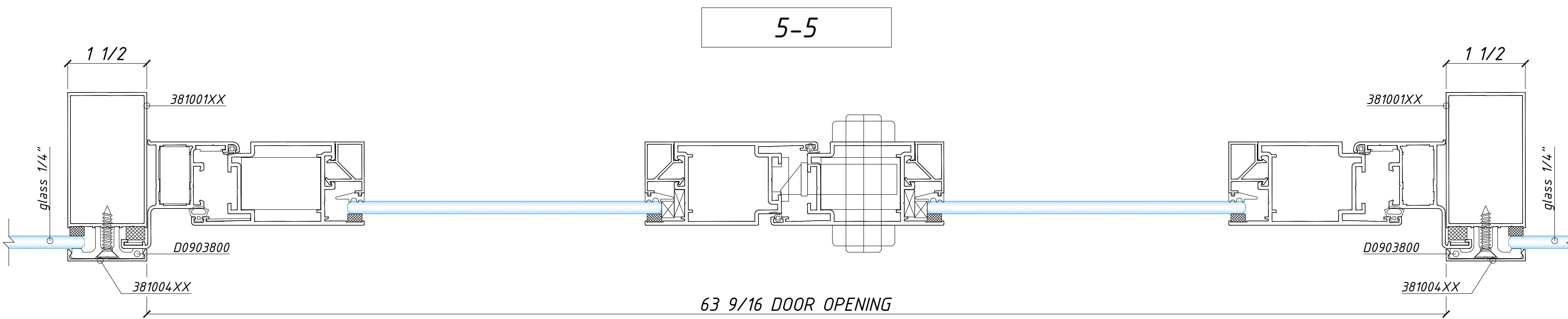
4-4



3-3



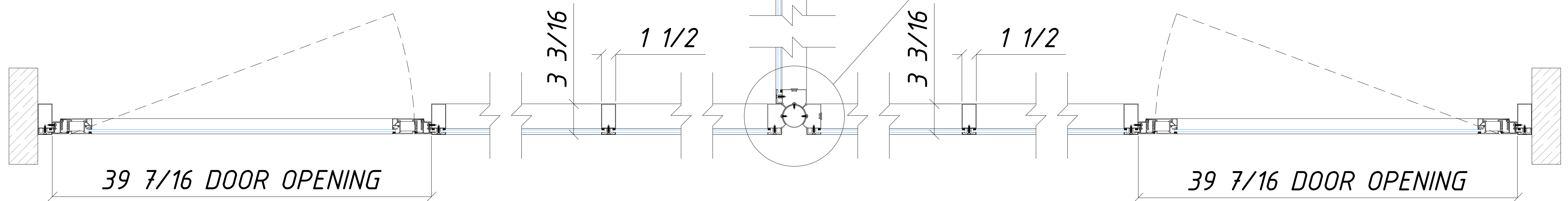
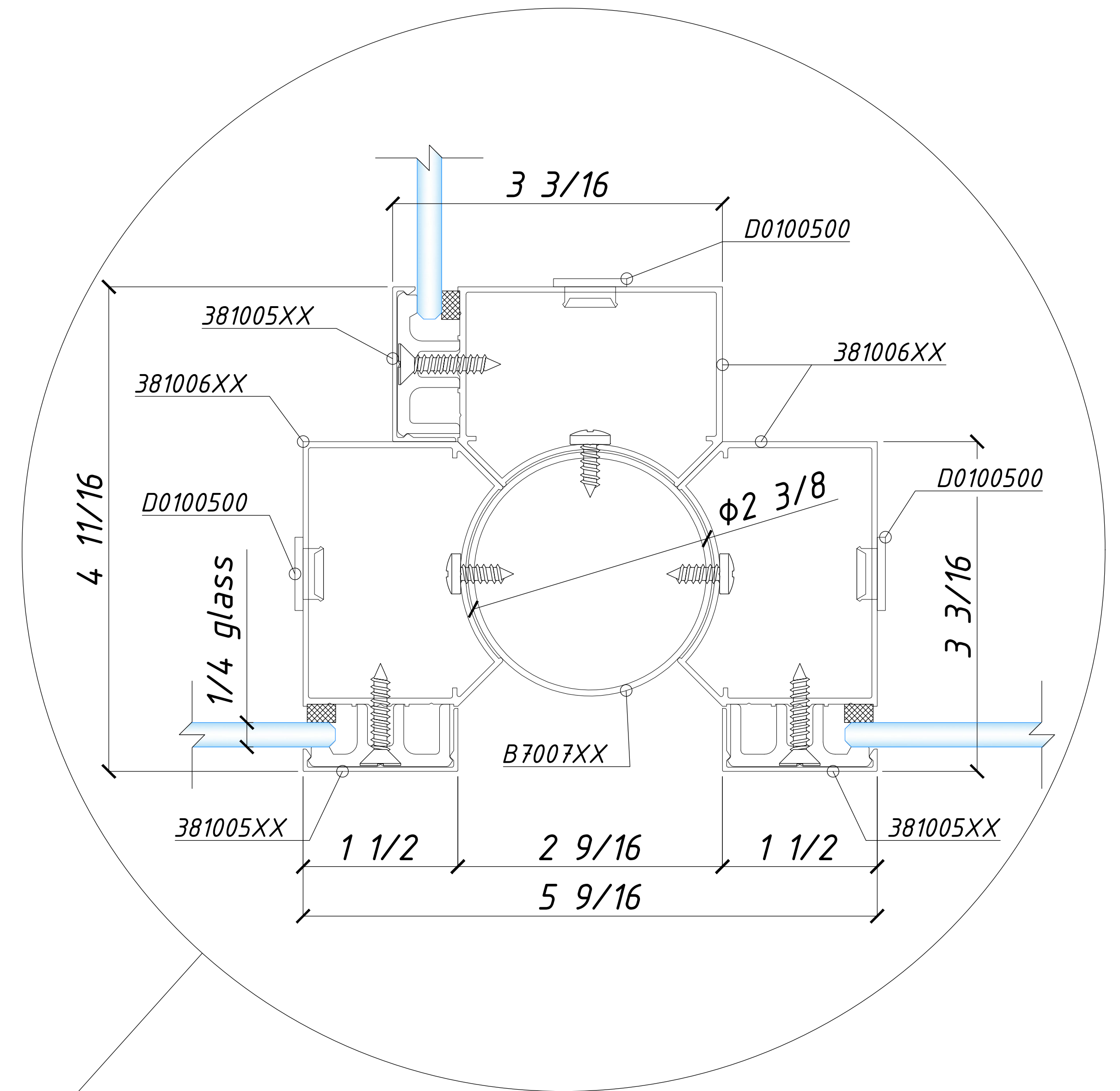
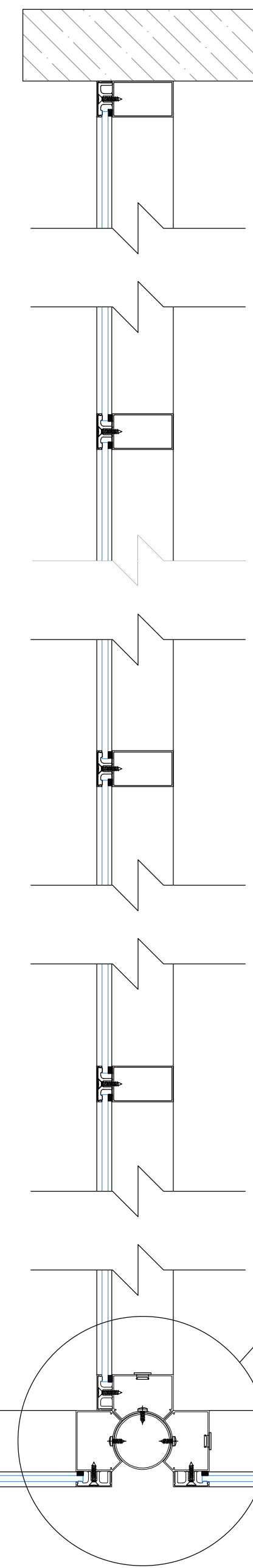
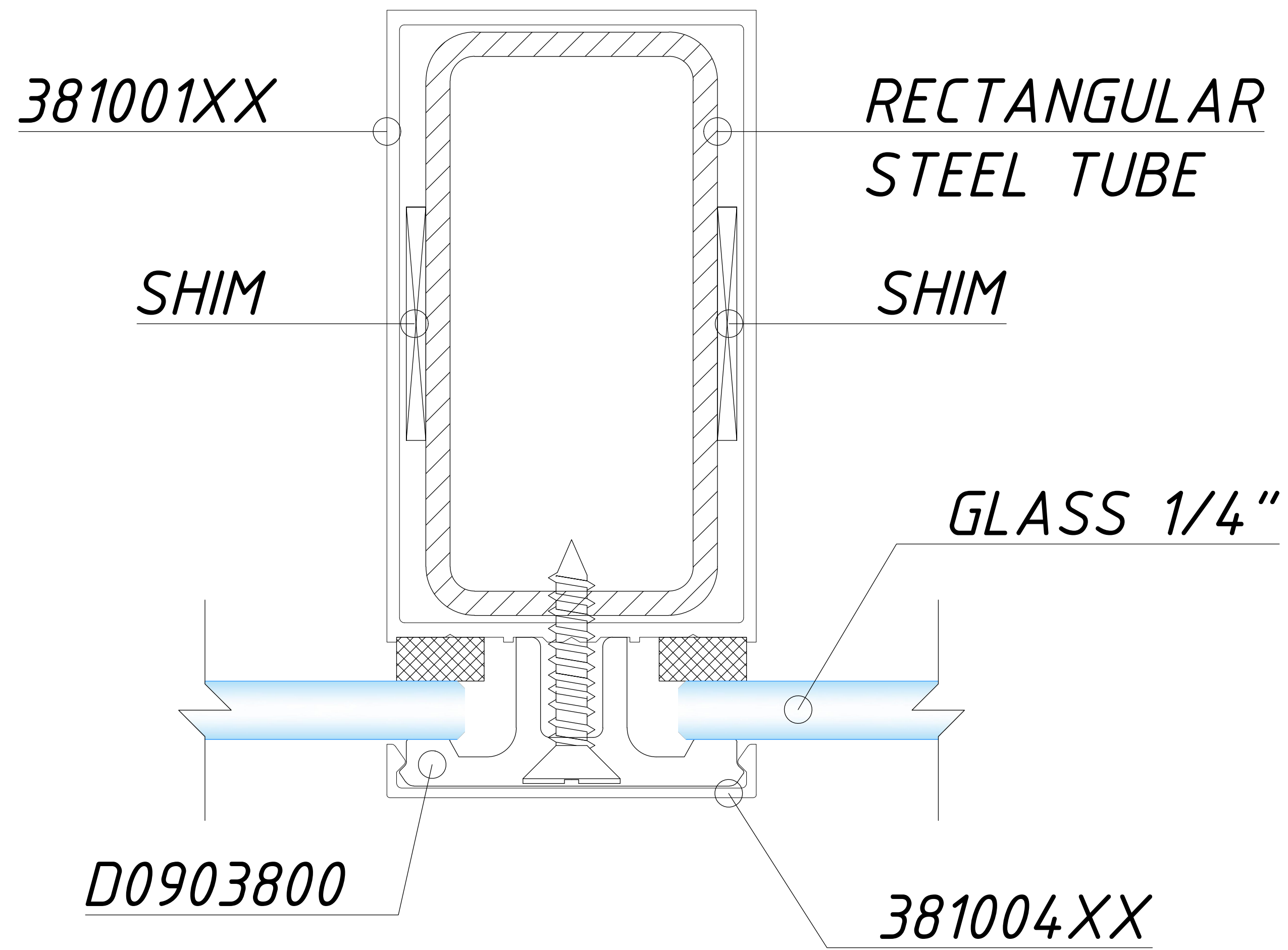
Engineering department	Technical reference	KOMPAS ALUMINUM AND GLASS PARTITION	
CRYSTALIA GLASS architectural glass & metal 132 32ND STREET BROOKLYN, NY 11232 (347) 601-20-19 SALES@CRYSTALGLASS.COM	Created by Daniel B.	DETAILS	Date of issue
	Approved by		



Engineering department	Technical reference	KOMPAS ALUMINUM AND GLASS PARTITION	
CRYSTALIA GLASS architectural glass & metal	Created by Daniel B.	ELEVATIONS	
132 32ND STREET BROOKLYN, NY 11232 (347) 601-20-19 SALES@CRYSTALGLASS.COM	Approved by		
		Date of issue	Drawing title
			4

PARTITION WITH A 360° CORNER PROFILE AND KOMPAS FRAMED DOORS
VIEW FROM THE TOP

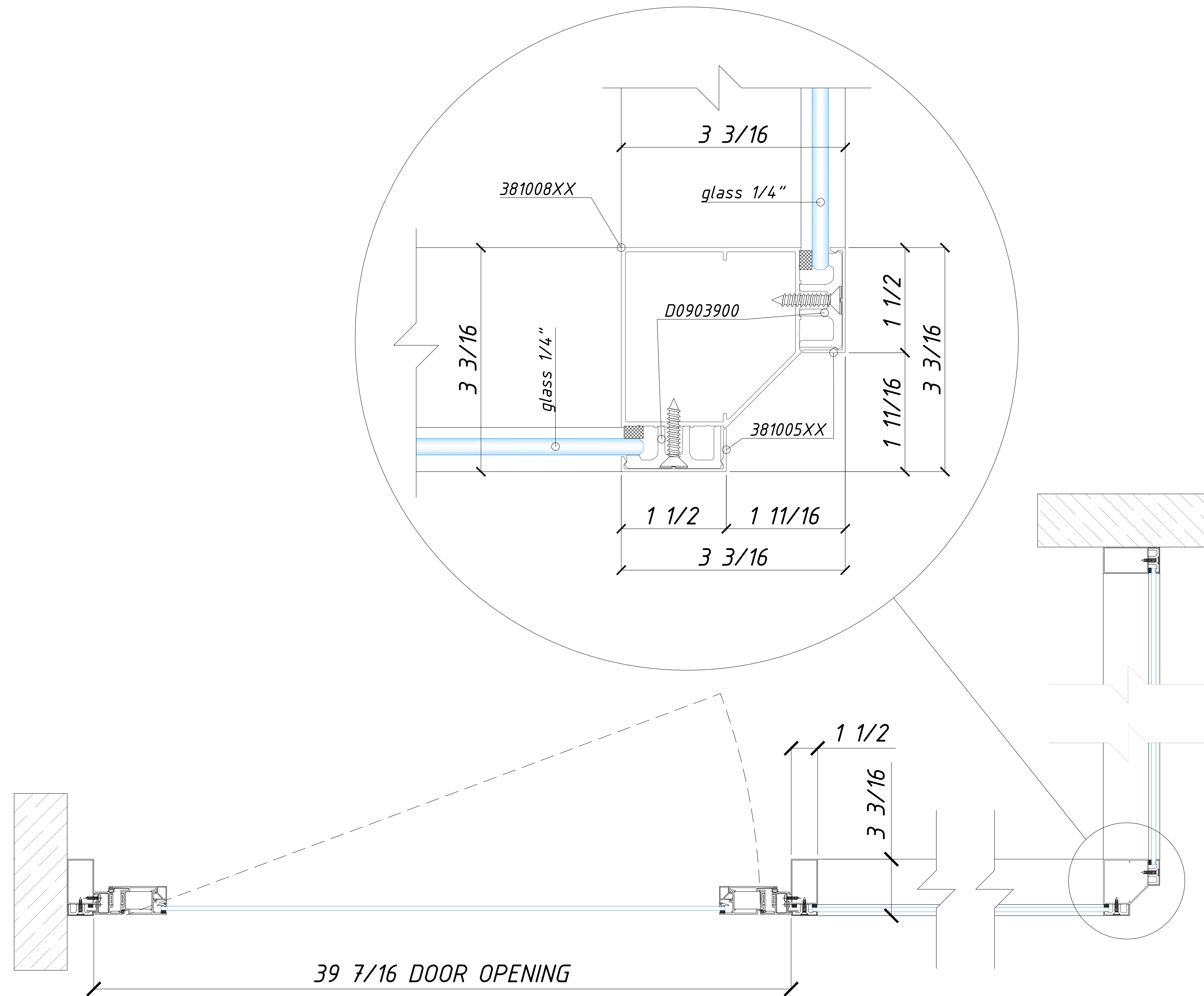
VERTICAL PROFILE REINFORCEMENT FOR PARTITIONS HIGHER THAN 13'



KOMPAS FRAMED DOORS HAVE FIXED SIZES.
KOMPAS SINGLE SWING DOOR - 36"W X 84"H - 92 LBS
KOMPAS DOUBLE SWING DOOR - 60"W X 84"H - 134 LBS

Engineering department	Technical reference	KOMPAS ALUMINUM AND GLASS PARTITION	
CRYSTALIA GLASS architectural glass & metal 132 32ND STREET BROOKLYN, NY 11232 (347) 601-20-19 SALES@CRYSTALIAGLASS.COM	Created by Daniel B.	360° CORNER PROFILE	Date of issue
	Approved by		

PARTITION WITH A 90° CORNER PROFILE AND KOMPAS FRAMED DOORS
VIEW FROM THE TOP



KOMPAS FRAMED DOORS HAVE FIXED SIZES.
 KOMPAS SINGLE SWING DOOR - 36"W X 84"H - 92 LBS
 KOMPAS DOUBLE SWING DOOR - 60"W X 84"H - 134 LBS

Engineering department	Technical reference	KOMPAS ALUMINUM AND GLASS PARTITION	
CRYSTALIA GLASS architectural glass & metal 132 32ND STREET BROOKLYN, NY 11232 (347) 601-20-19 SALES@CRYSTALGLASS.COM	Created by Daniel B.	90° CORNER PROFILE	Date of issue
	Approved by		

DIAGRAM TO DETERMINE DISTANCE BETWEEN VERTICAL PROFILE PLACEMENTS
W/O REINFORCEMENT

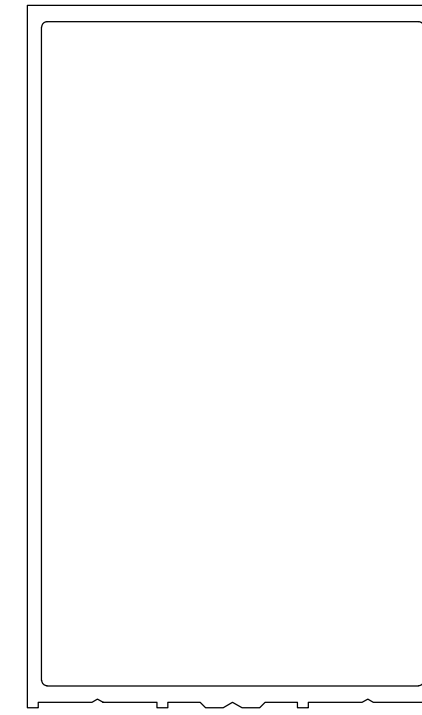
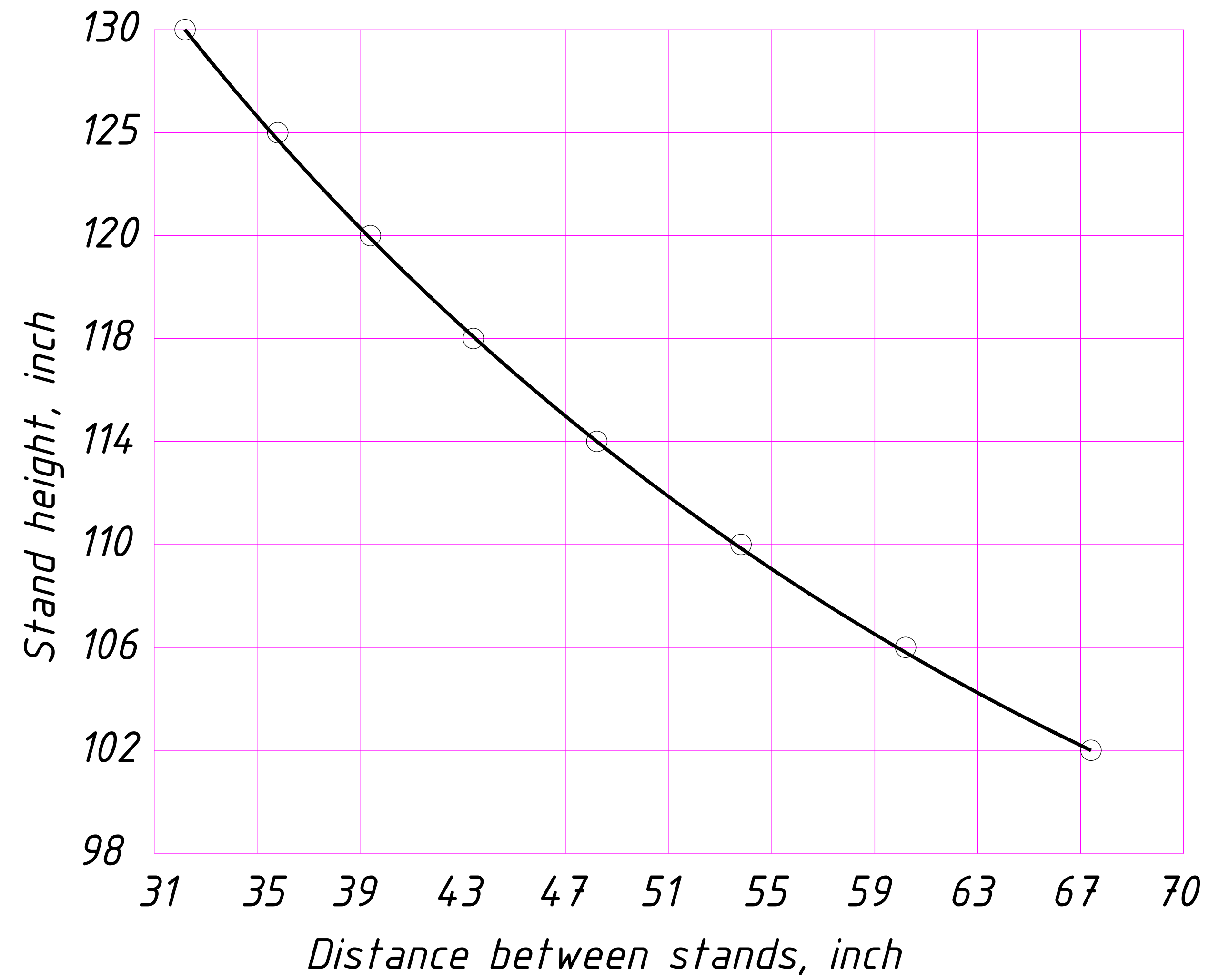
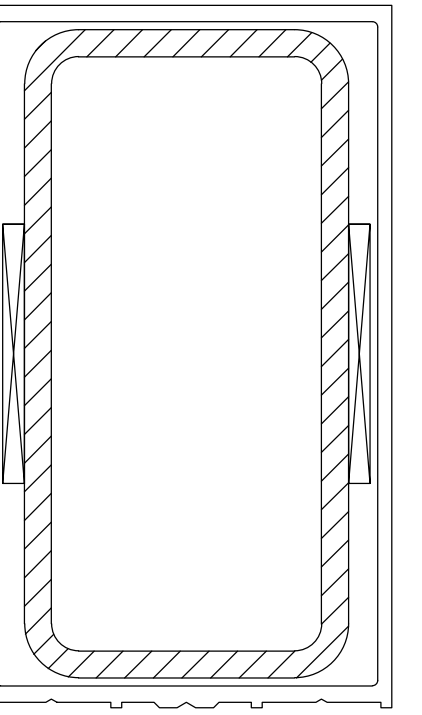
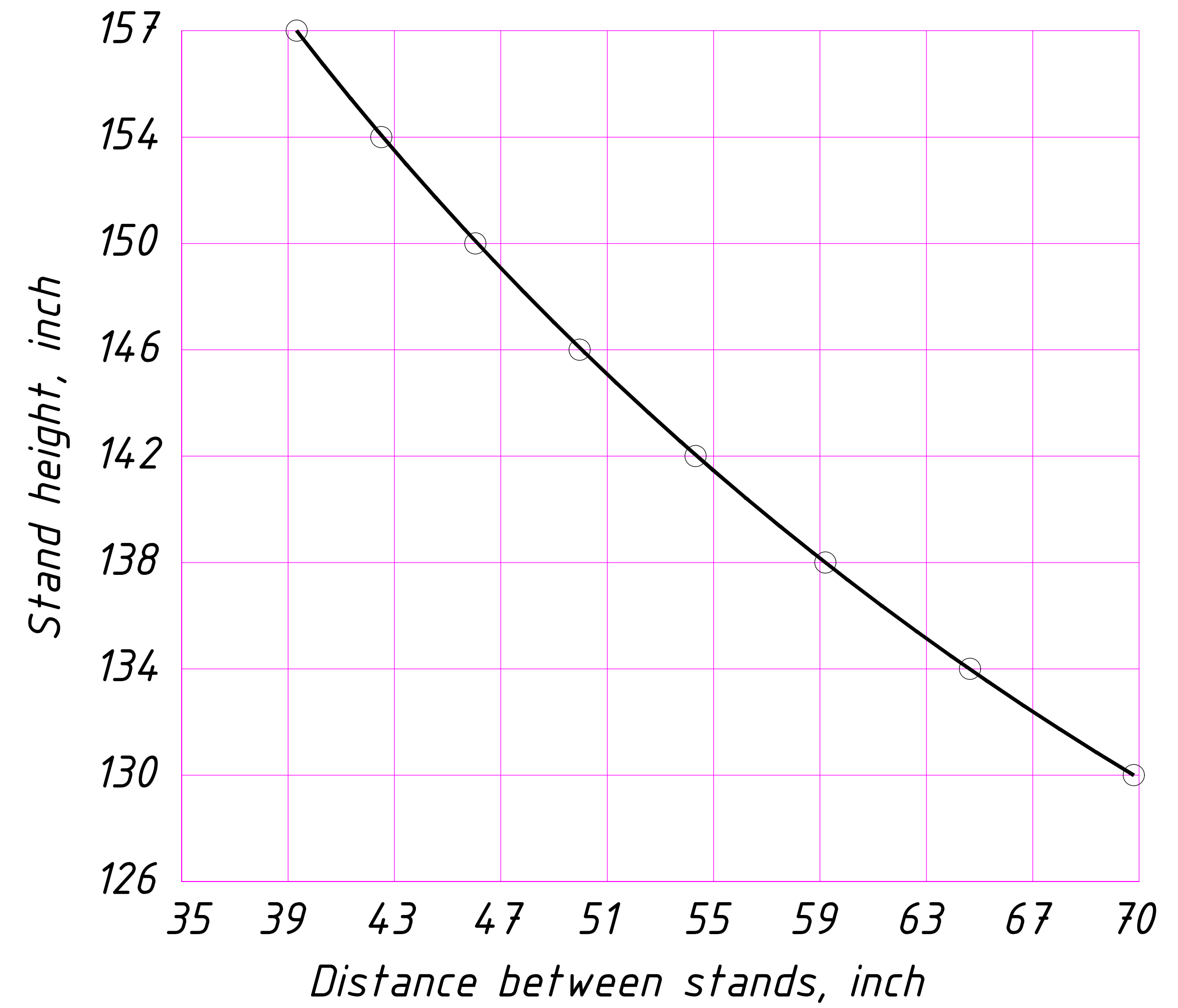


DIAGRAM TO DETERMINE DISTANCE BETWEEN VERTICAL PROFILE PLACEMENTS
WITH REINFORCEMENT



THE DIAGRAM IS OF ADVISORY NATURE FOR STATIONARY PARTITIONS ONLY.
IT DOES NOT TAKE INTO ACCOUNT A VIBRATION CAUSED BY DOOR OPERATION.

THE DIAGRAM IS OF ADVISORY NATURE FOR STATIONARY PARTITIONS ONLY.
IT TAKES INTO ACCOUNT A VIBRATION CAUSED BY DOOR OPERATION.

Engineering department	Technical reference	KOMPAS ALUMINUM AND GLASS PARTITION	
CRYSTALIA GLASS architectural glass & metal 132 32ND STREET BROOKLYN, NY 11232 (347) 601-20-19 SALES@CRYSTALIAGLASS.COM	Created by Daniel B.	CHART	Date of issue
	Approved by		