

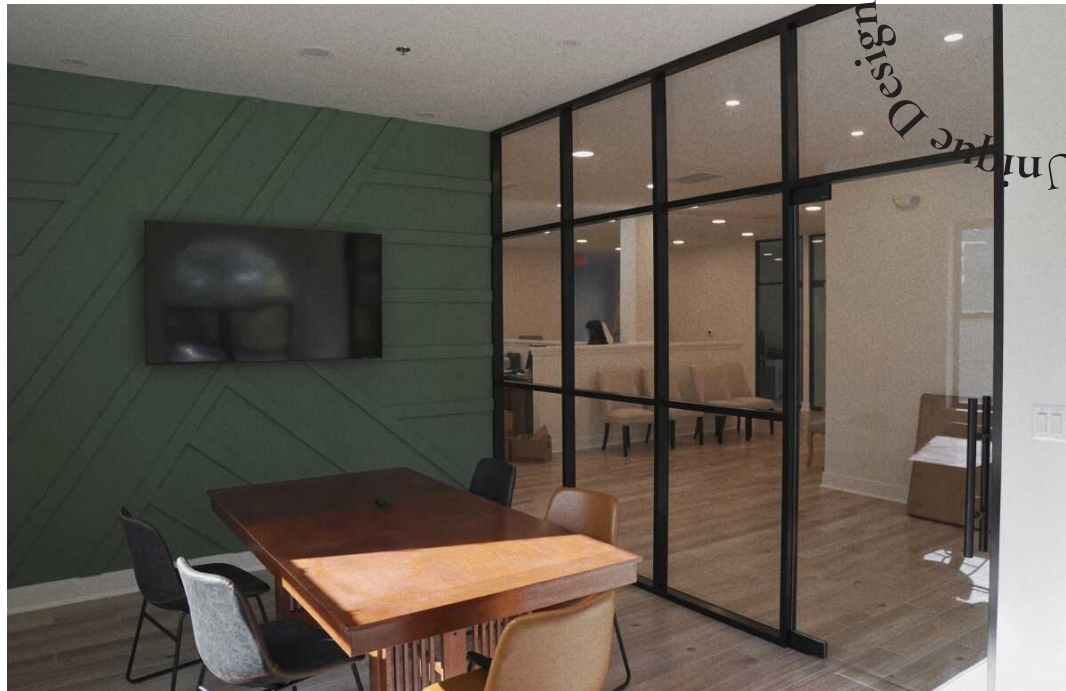


# KOMPAS Aluminum and Glass System



# KOMPAS Aluminum and Glass System

—  
represents a practical, lasting and contemporary design solution. It is highly popular due to the various design possibilities it creates, high sound insulation properties and the use of the highest quality hardware.



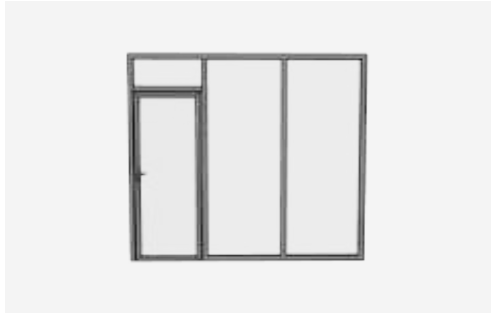
Best Quality Exclusive Solutions  
Unique Design

—  
The installation of the KOMPAS system does not take a lot of time, and the system is flexible enough to be used in the challenging spaces. In this aluminum system, the main load-bearing elements are external walls, so it is the best option for the areas with open ceilings.

# KOMPAS System Configuration

---

KOMPAS Partition System allows building divider walls, office fronts, and fully enclosed areas suitable for open-plan spaces and commercial projects. You can create extra workspaces anywhere, enjoying the ultimate versatility of the system design.



1-Wall Systems



2-Wall Systems



3-Wall Systems



Multi-wall Systems



## Free-Standing and Full-Height Configurations

---

KOMPAS System does not require attachments to the ceiling due to the many aluminum connector components that guarantee sturdiness.

Sometimes additional individual supporting posts might be necessary and we have that option covered with our special metal profile infill. Full-height walls can go all the way up to 20 feet, depending on the design of the partition.

# Materials & Finishes

## Framing to create any design

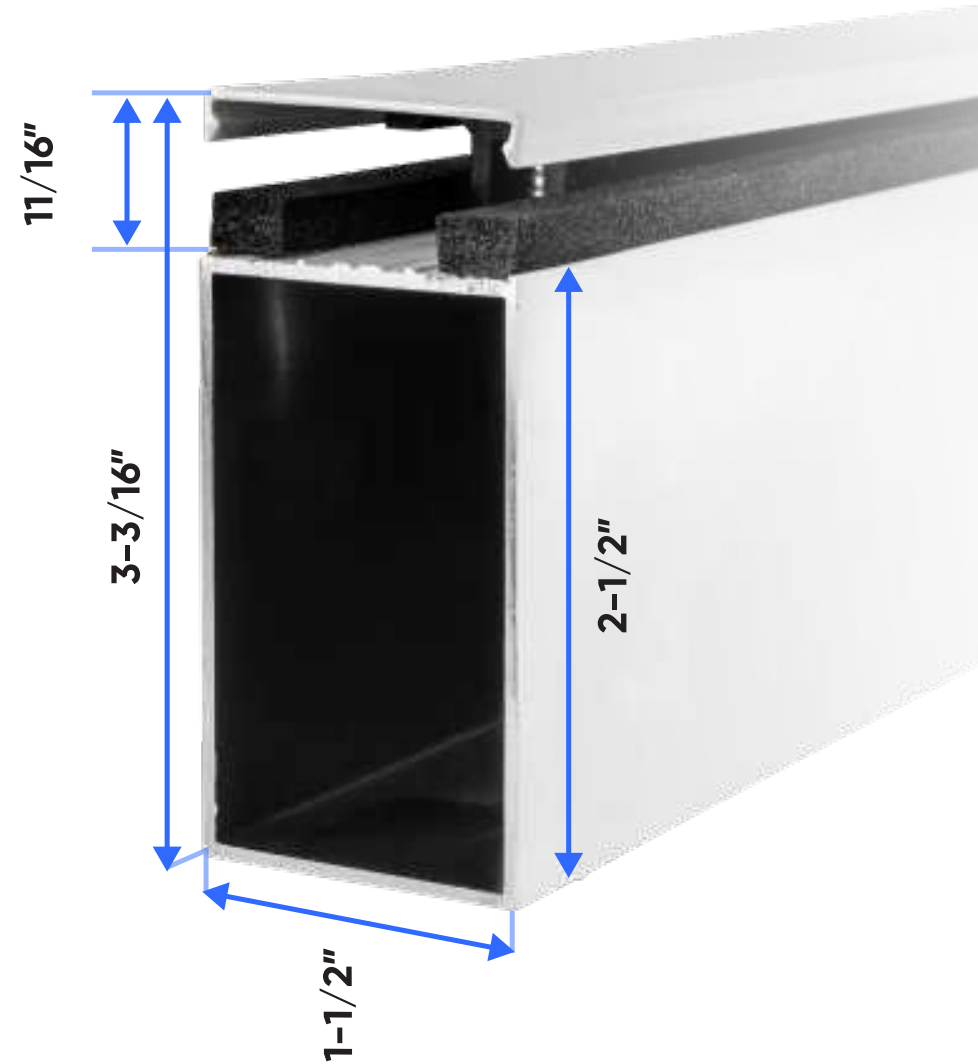
Our extruded aluminum profiles ensure sturdy construction and create attractive accents for your office solution. Whatever the dimensions of your facility, our glass partition systems offer space efficiency with a sleek and versatile design.



**Matte Black**  
RAL 9005



**Anodized**  
Aluminum

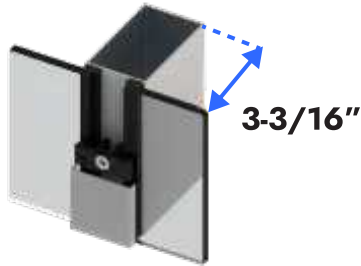
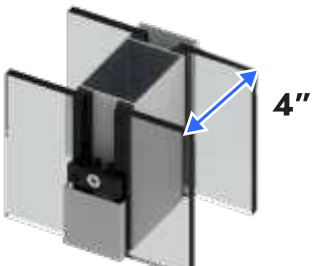


# Materials & Finishes

# Glass Options

The possibility to double-glaze the system, i.e., install glass panels on both sides of the framing, significantly increases sound insulation properties.



Glazing Available	Single Glazing	Double glazing
Options		
1/4" Glass	✓ Yes	✓ Yes
3/8" Glass	✓ Yes	✗ n/a

# Materials & Finishes

# Glass Finishes

---



**Low-Iron (Starphire) Glass**



**Frosted Glass**



**Clear Glass**



**Tinted Glass**

# Door Types

---

Single Door



Double Door



## Framed Swing Doors

---

- ✓ 1/4" tempered glass
- ✓ Lock, Handle and Hinges

### Frame finishes available:

- Matte Black
- Clear Anodized

## Framed Door Hardware

---

### Patch Handset for Doors

Door handle, screw cover, screws



### Replacement Door Hinges with Fasteners

Stainless steel with electrostatic paint

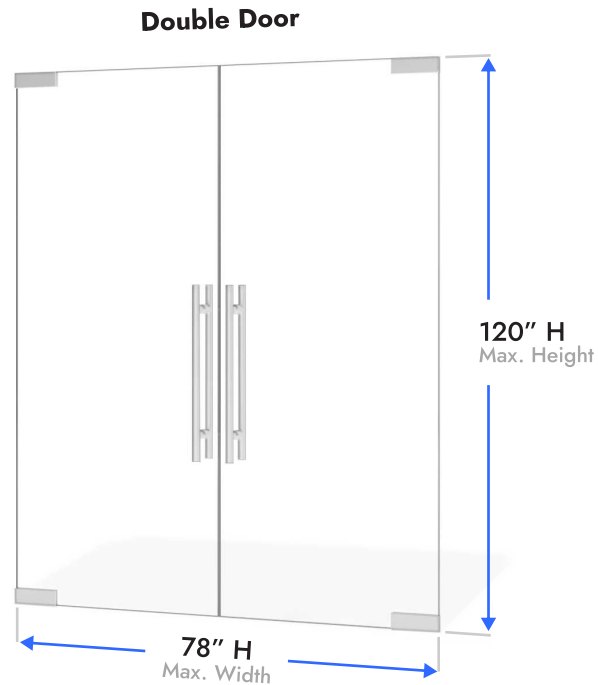
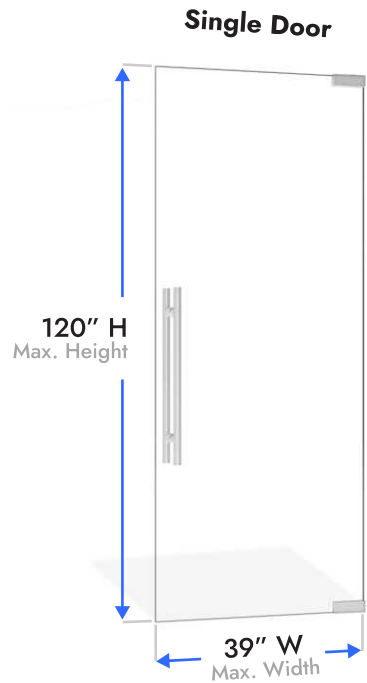


### Replacement Door Lock



# Door Types

---



## Frameless Swing Doors

---

- ✓ Maximum door weight 220 lbs

### Our door assembly includes:

- ✓ 3/8" or 1/2" tempered glass
- ✓ 24" back-to-back pull handle
- ✓ Top and Bottom patch fittings

### Hardware finishes available:

- Matte Black
- Clear Anodized
- Brushed Stainless Steel

## Frameless Door Hardware

---

### Hydraulic Bottom Patch



### Top Patch Fitting



### Ladder Style Back-to-Back Pull Handle





# KOMPAS Typical Details

Full set of technical drawings is available to download at [kompas.cghardware.com](http://kompas.cghardware.com)



**Single-Glazed System**



**Double-Glazed System**



**90 Corner Aluminum Profile**



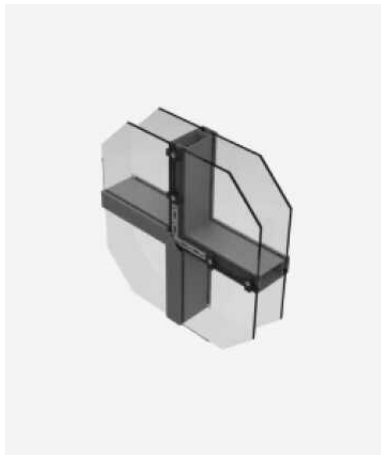
**360 Corner Aluminum Profile**



**End Cap**



**T-Bracket Connection  
Single Glazed System**



**T-Bracket Connection  
Double Glazed System**



**Door Profile**



**Bottom Bracket  
Connection**



## **CG Hardware**

149 20th Street, Brooklyn, NY 11232

+1 347 776-8739    [sales@cghardware.com](mailto:sales@cghardware.com)