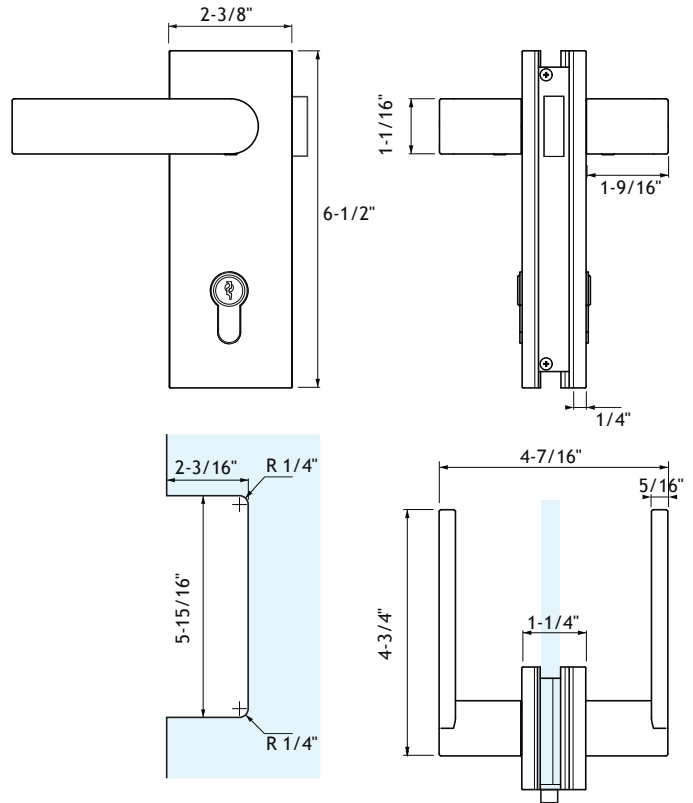
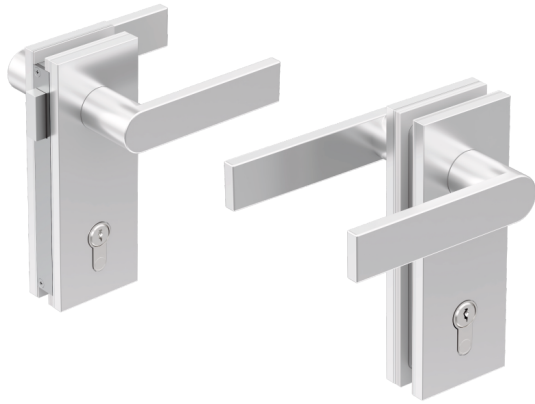




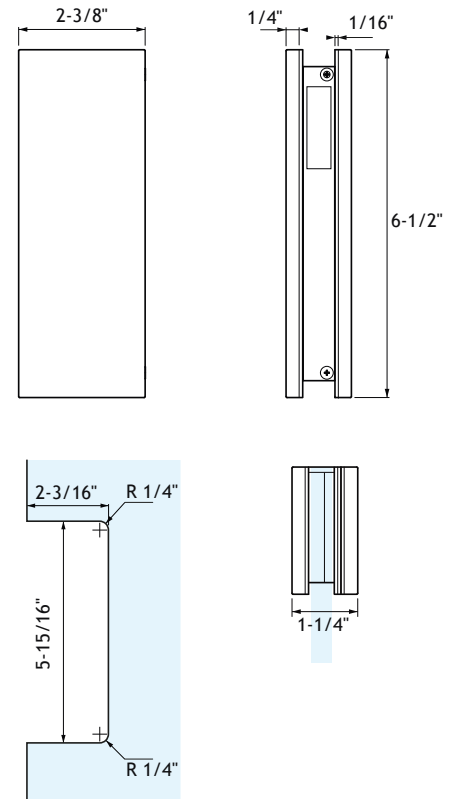
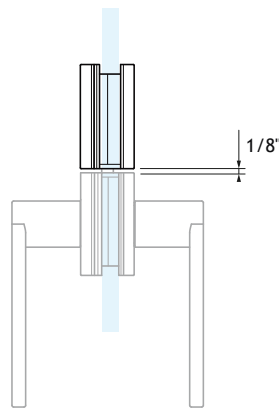
CGMGLV03C



Magnetic Lever Lock for Swing Doors
Left/right Reversible
Key/key Cylinder
Available in Satin Anodized, Black Matte and Brushed Stainless Steel
Suitable for 3/8" and 1/2" Swing Glass Doors



CGMGLS04



Magnetic Lever Lock Strike Patch for Double Door Applications
Left/right Reversible
Available in Satin Anodized, Black Matte and Brushed Stainless Steel
Suitable for 3/8" and 1/2" Swing Glass Doors

