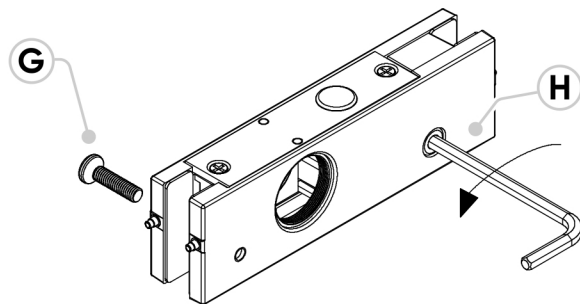
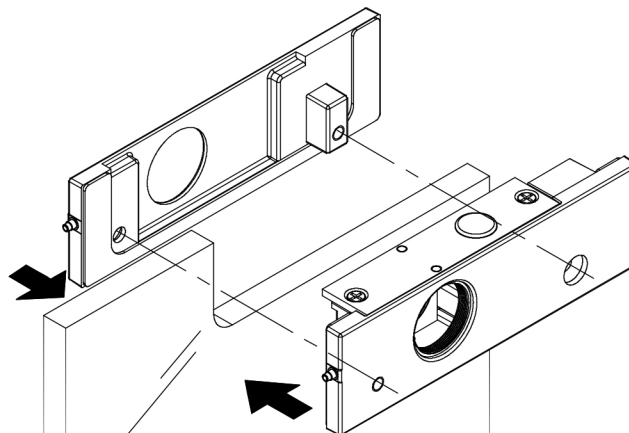




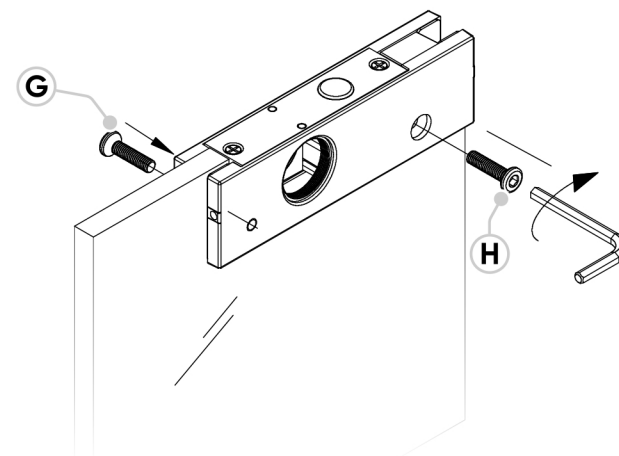
**4** Take out screws 'G' & 'H' with Allen Key.



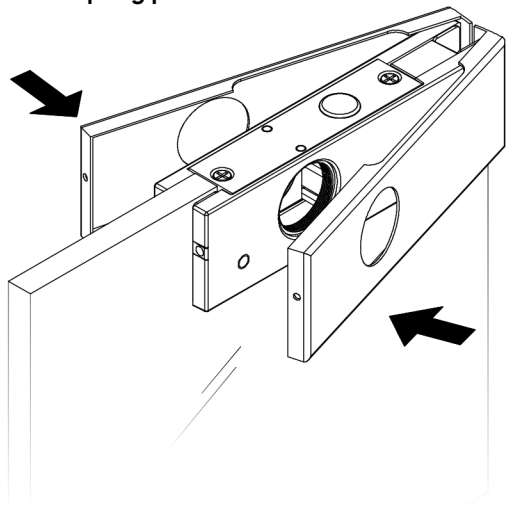
**5** Clamp Both parts of Lock with provided seal/gasket into Glass Cutout as shown.



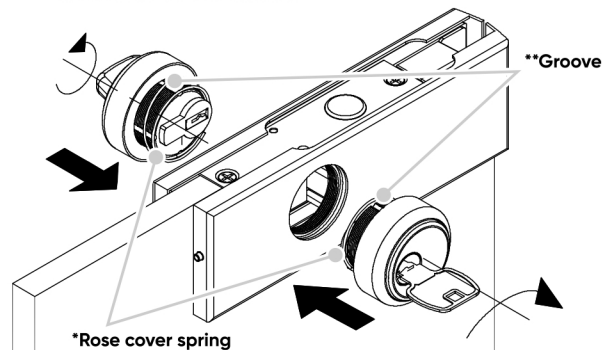
**6** Tighten screws 'G' & 'H' with Allen Key.



**7** Fit cover plate by locking static pins first, then spring pin



**8** Fix the cylinder using key/knob by rotating in clockwise direction.



**NOTE:**

\*Ensure faceplate cover spring is inserted before fixing the cylinder.

\*\*Groove Should be upward as shown, so that grub screw can reach it.

**9** Fix the Grub Screw with Allen Key

