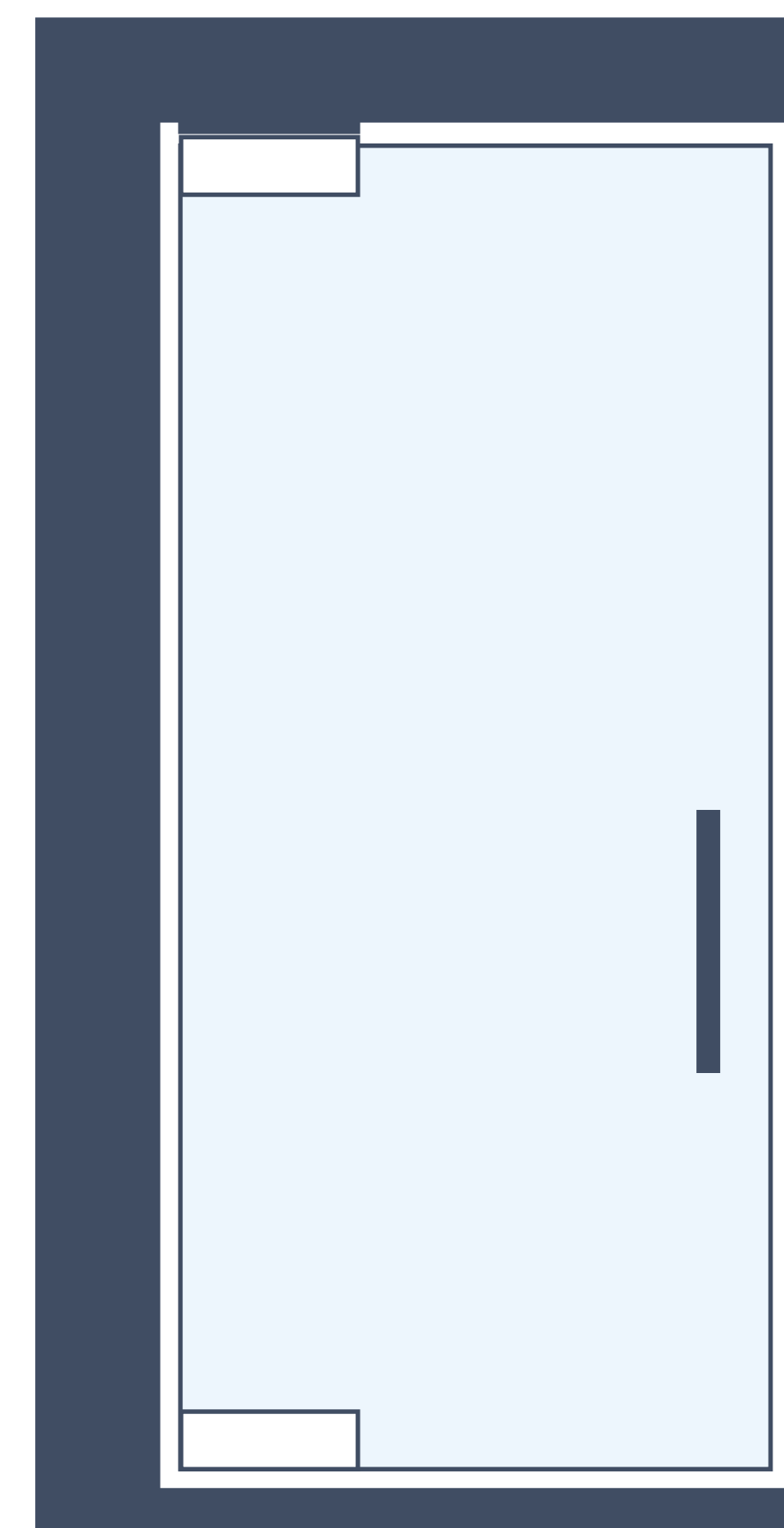




CGBF-100 KIT

Hydraulic patch kit installation manual for **CGS** Frameless swing door

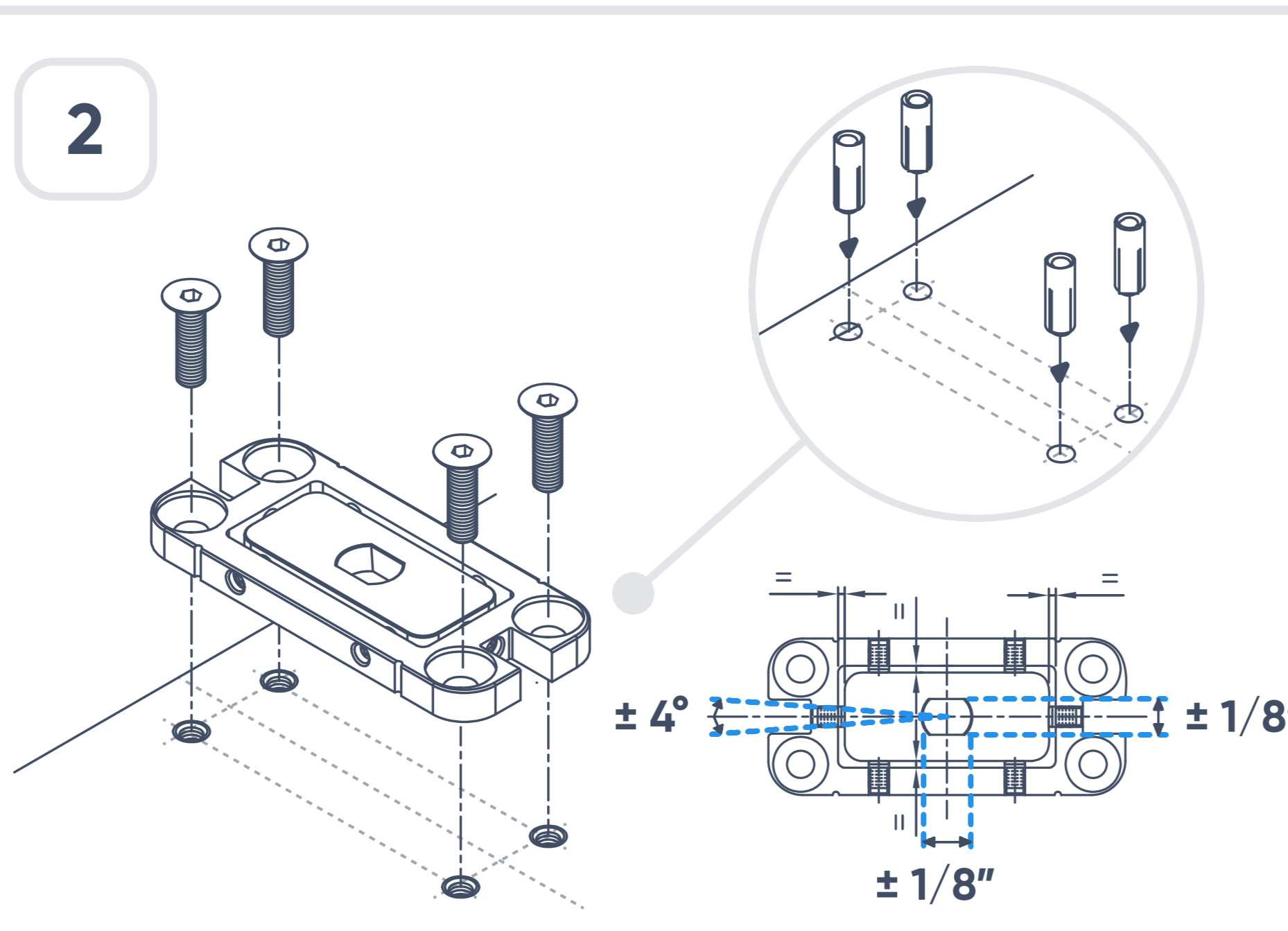
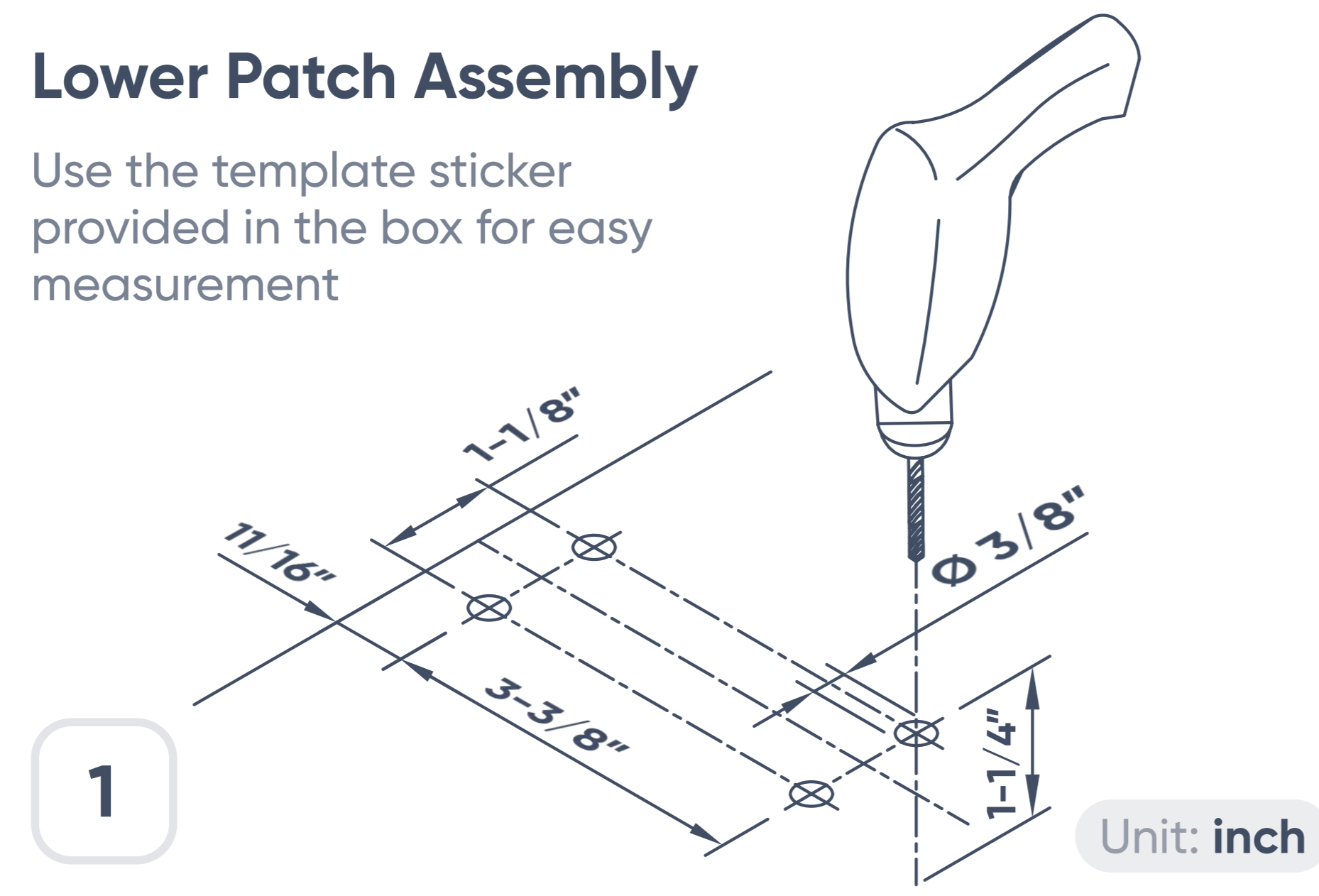
CGS Swing



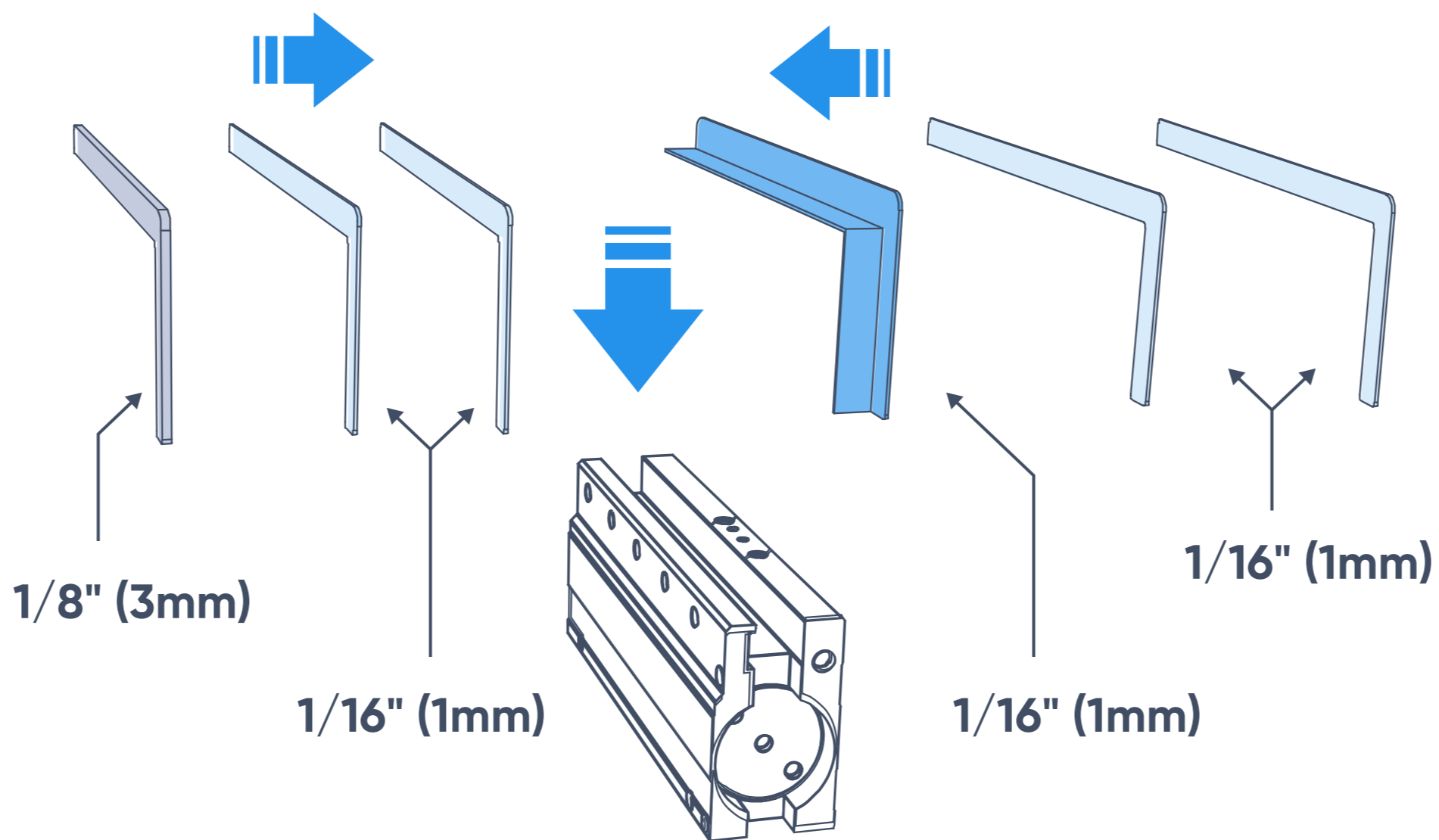
- ◆ 3/8" ◆ 1/2"
- 39-3/8" Max
- ≤220 lbs

Lower Patch Assembly

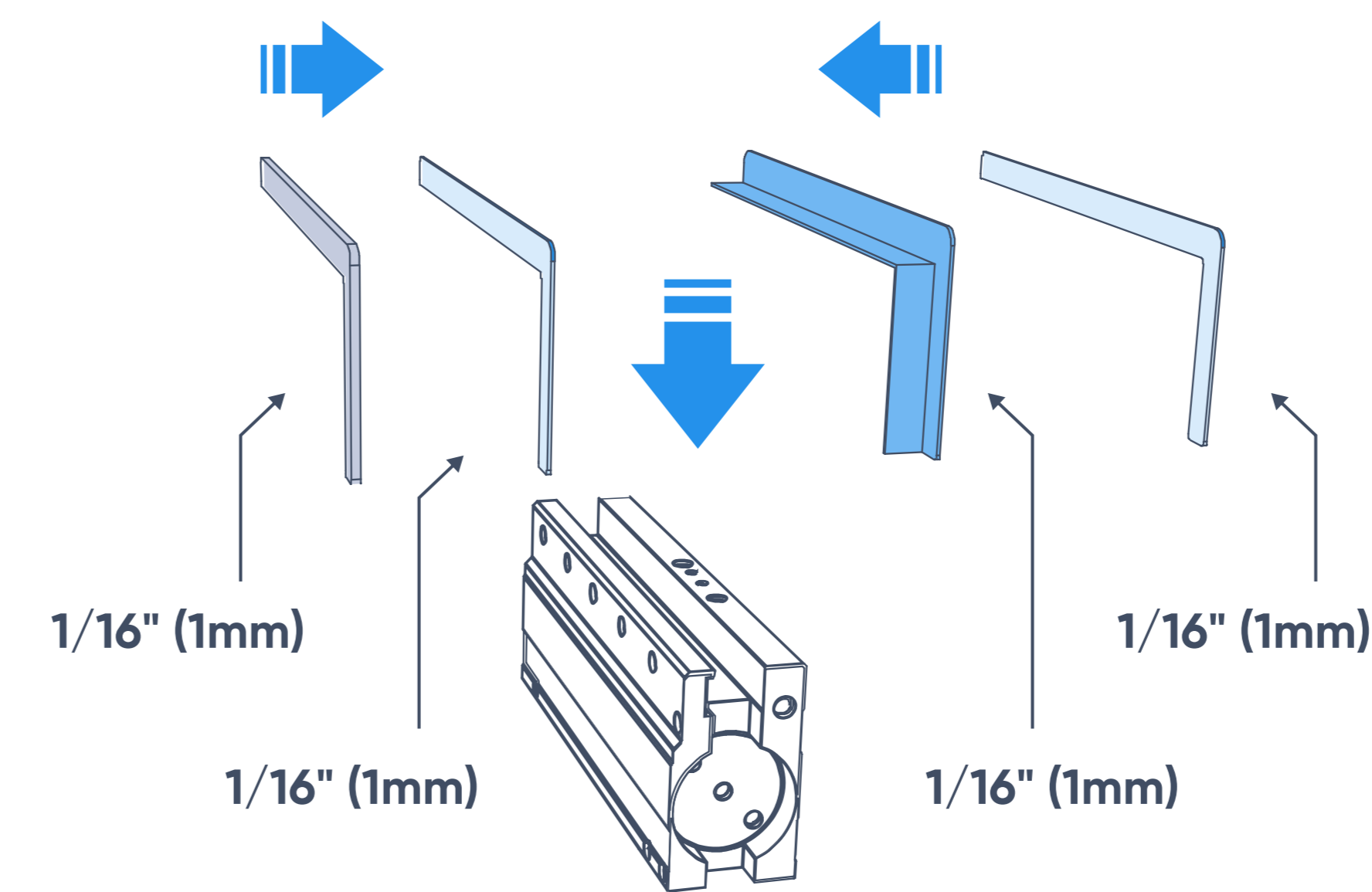
Use the template sticker provided in the box for easy measurement



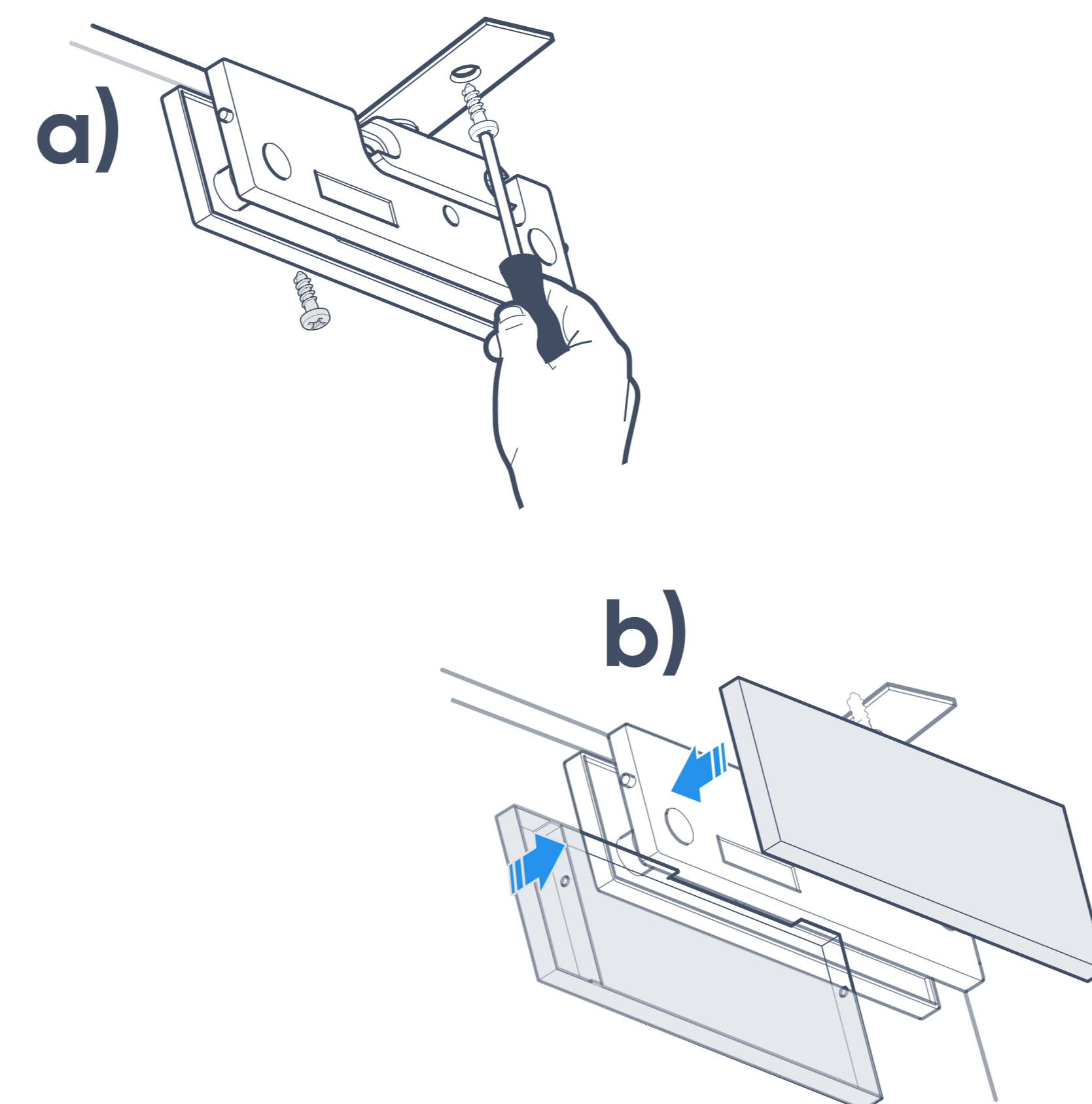
5.1 Installation 3/8" glass



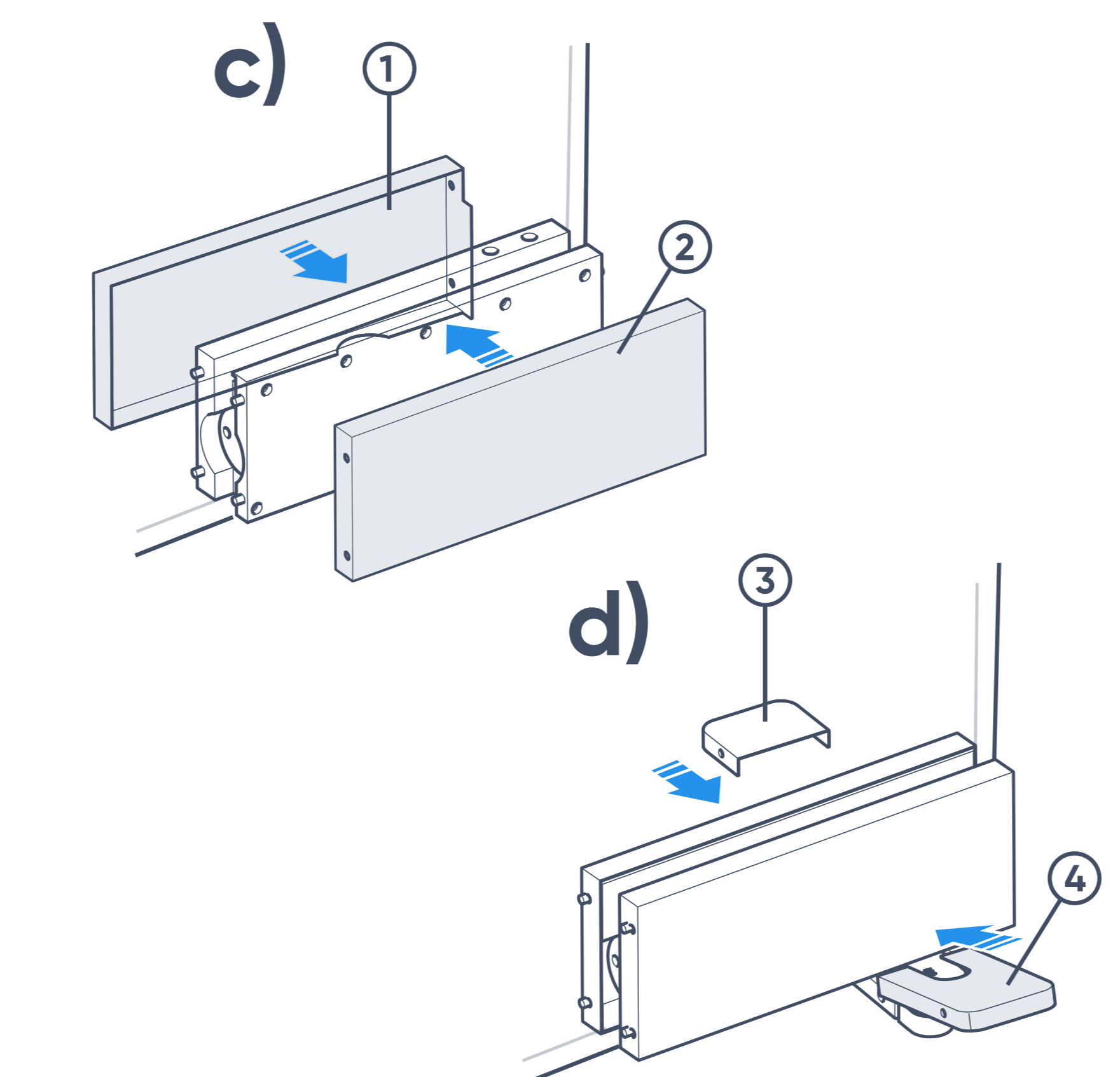
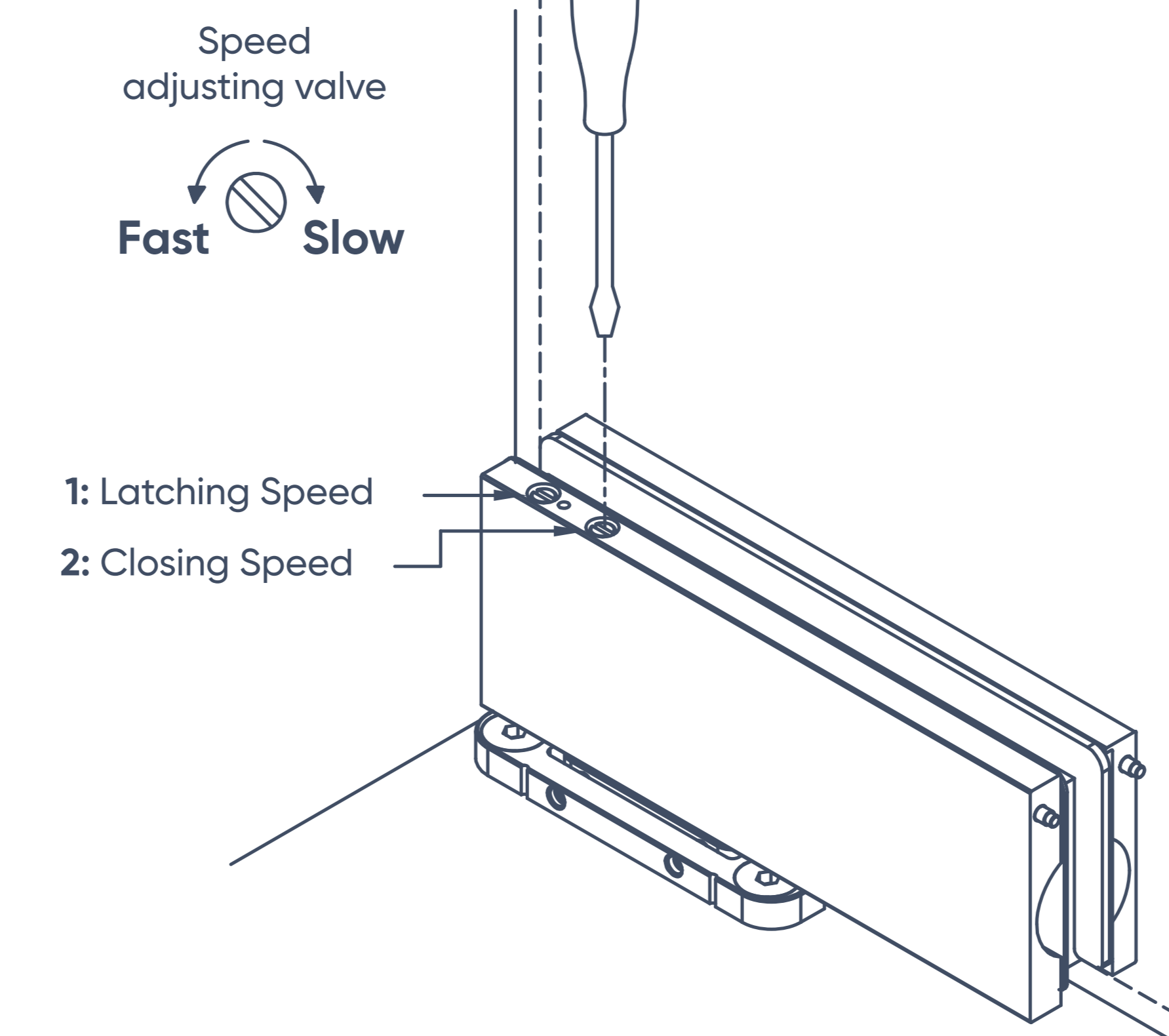
5.2 Installation 1/2" glass



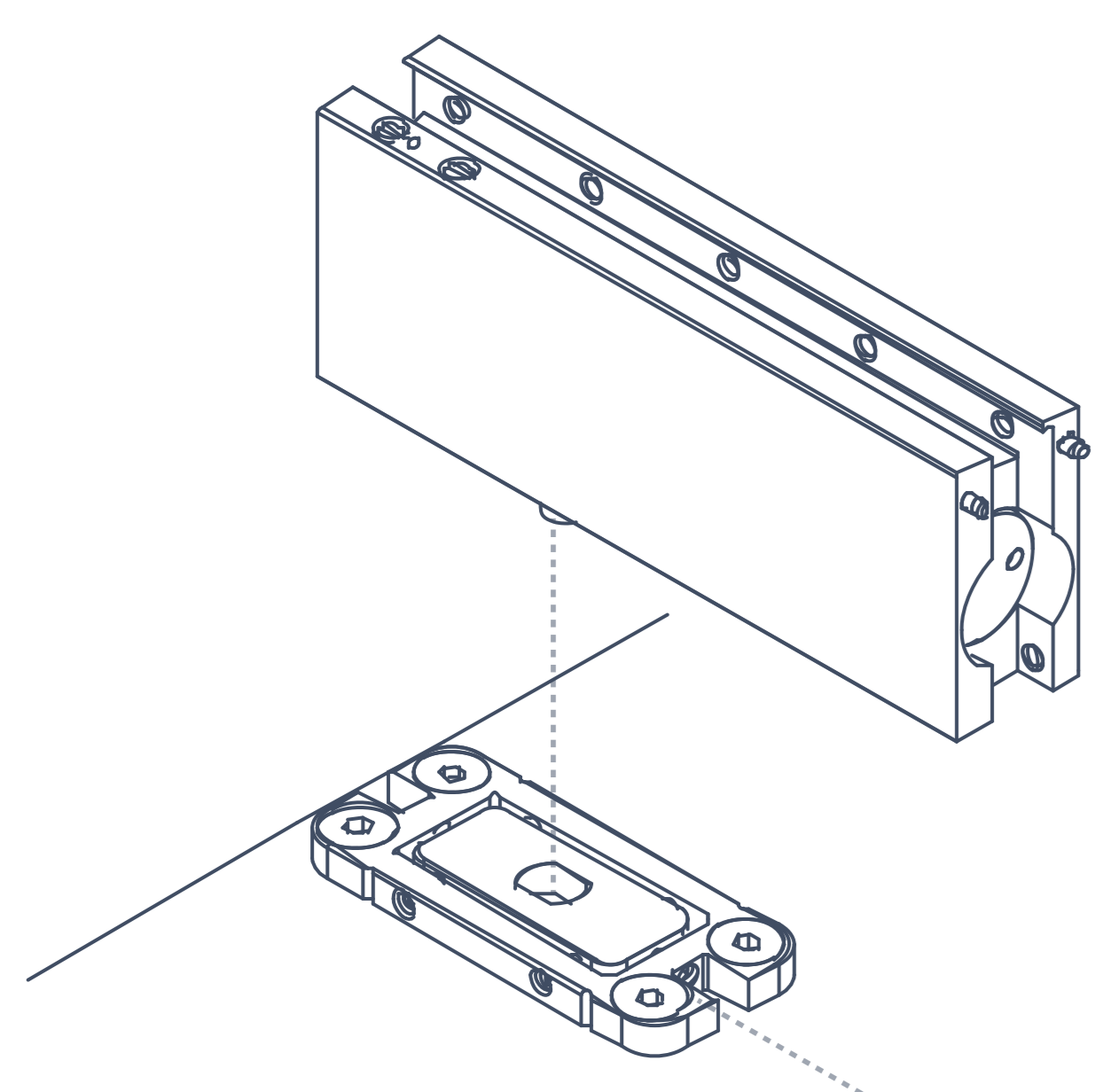
6



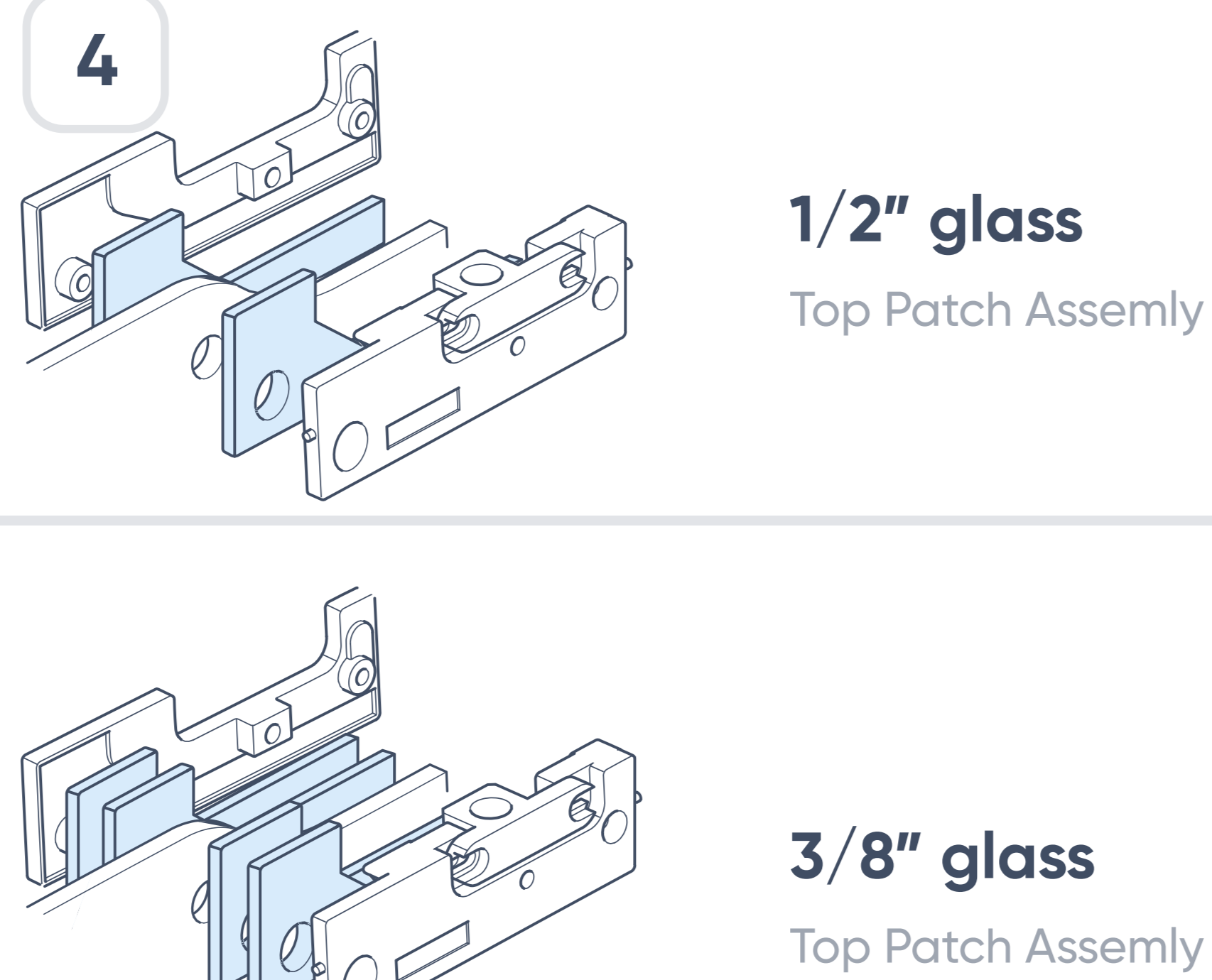
7 Adjustment



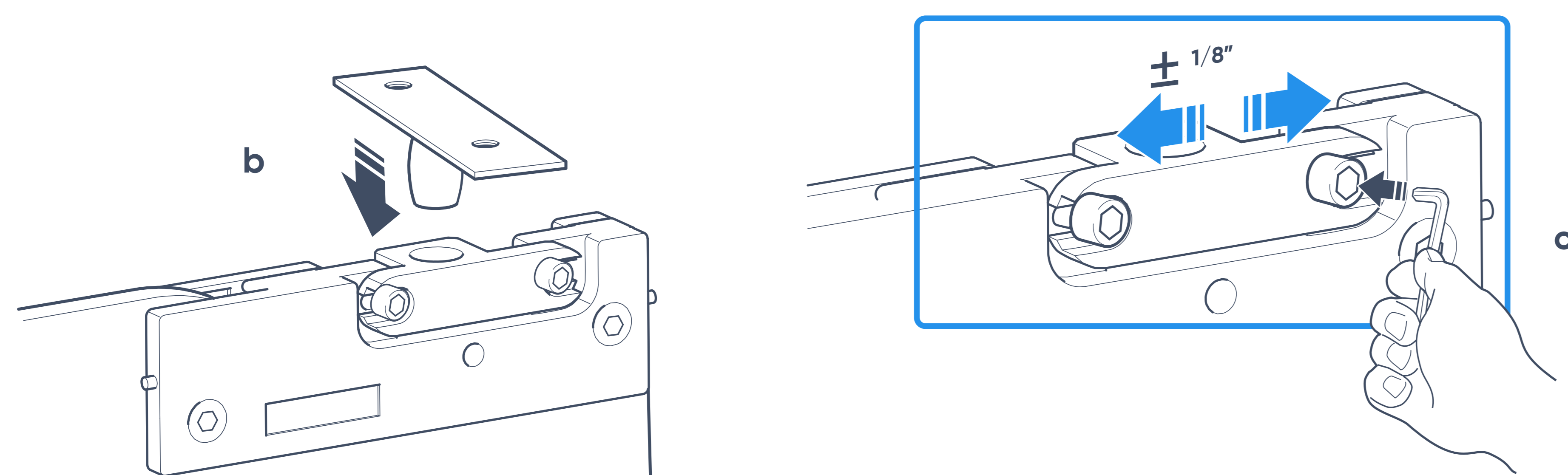
3



4

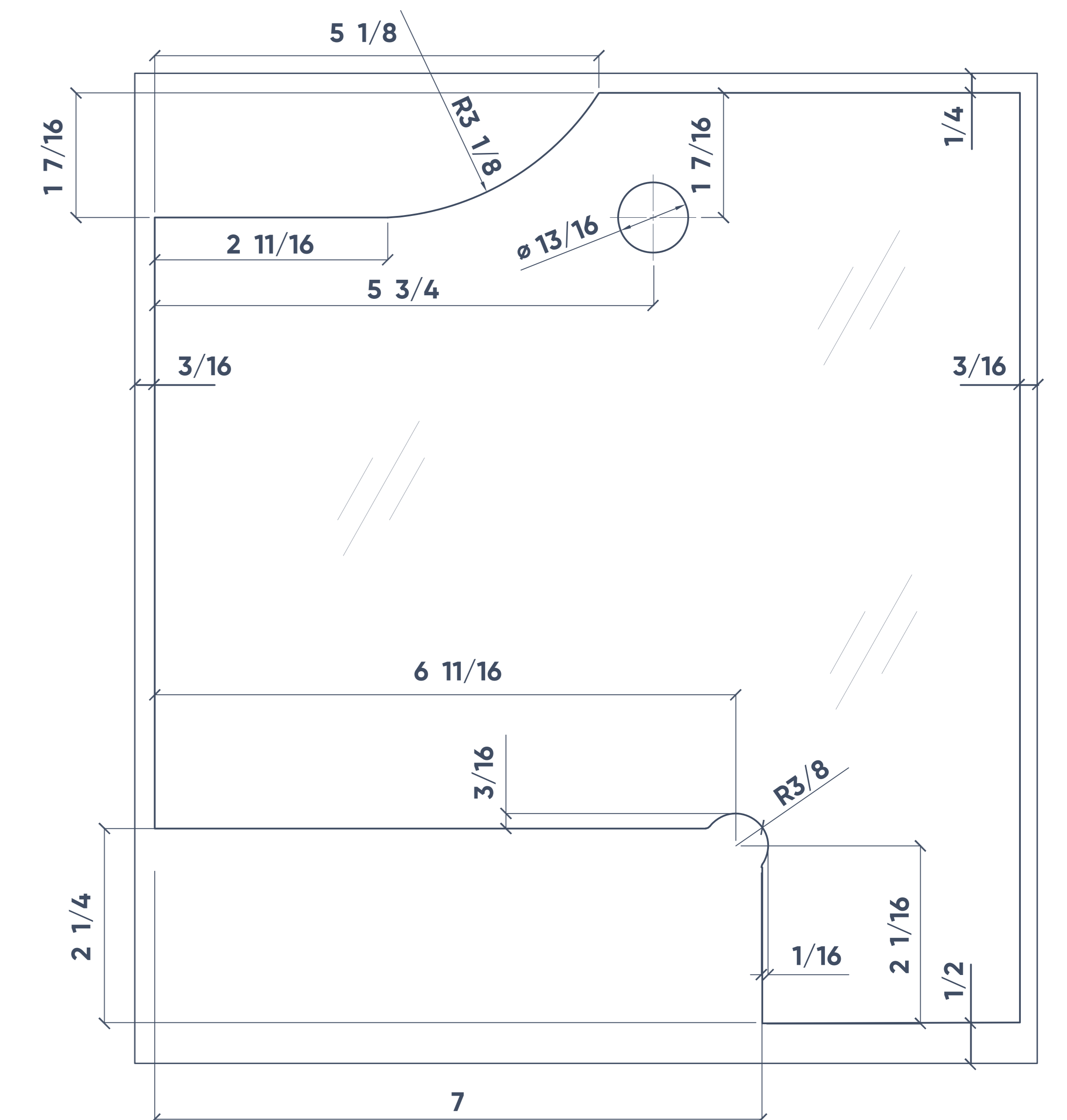


5 Top Patch Assembly



CGS Frameless Swing Glass Cutouts

Top Patch
SKU: CGTF



Hydraulic Bottom Patch
SKU: CGBF



IMPORTANT: CGS cutouts are not compatible with CGF installations.

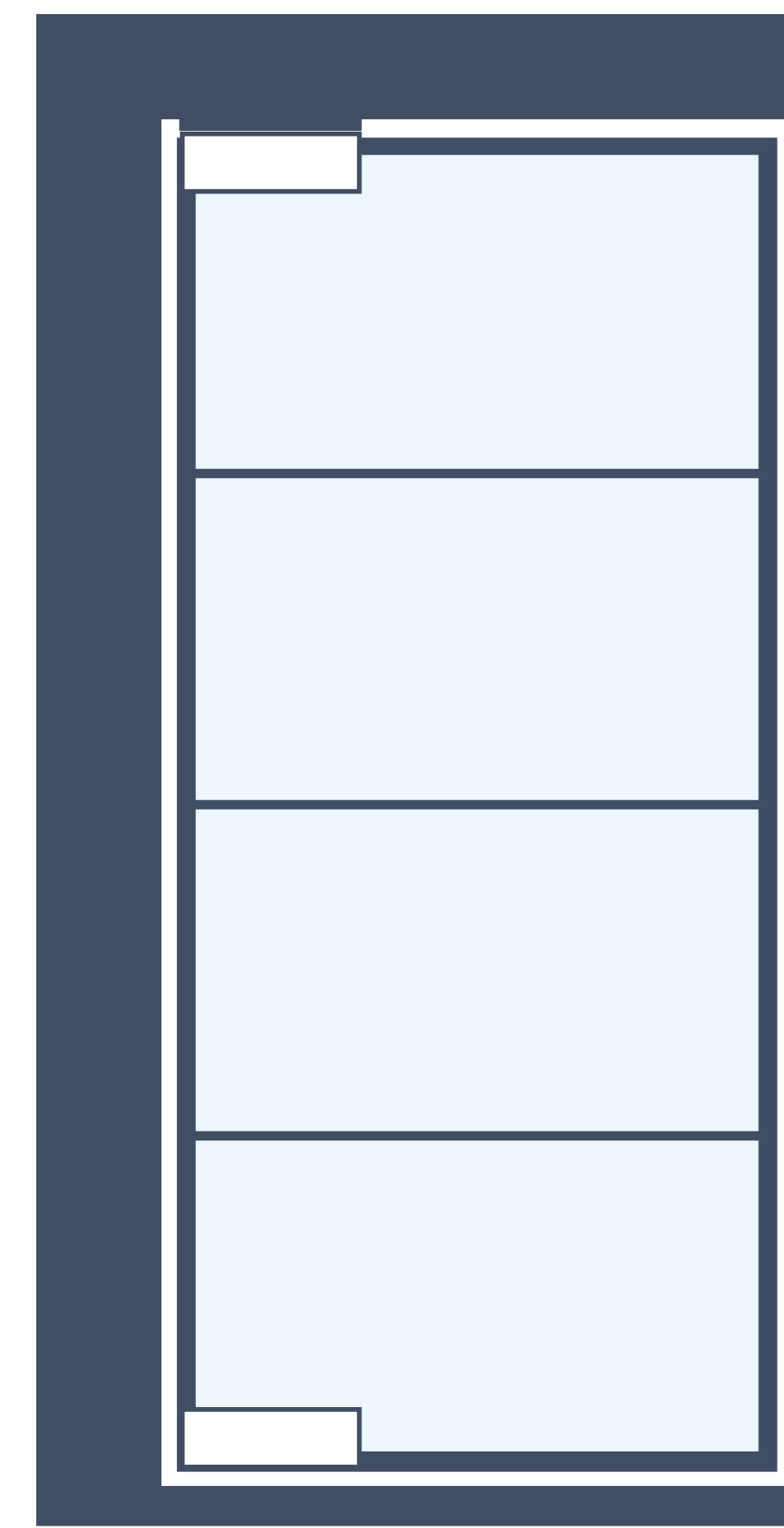
Please use the designated cutouts for each system as instructed.



CGBF-100 KIT

Hydraulic patch kit installation manual for **CGF** Framed swing door

CGF Swing



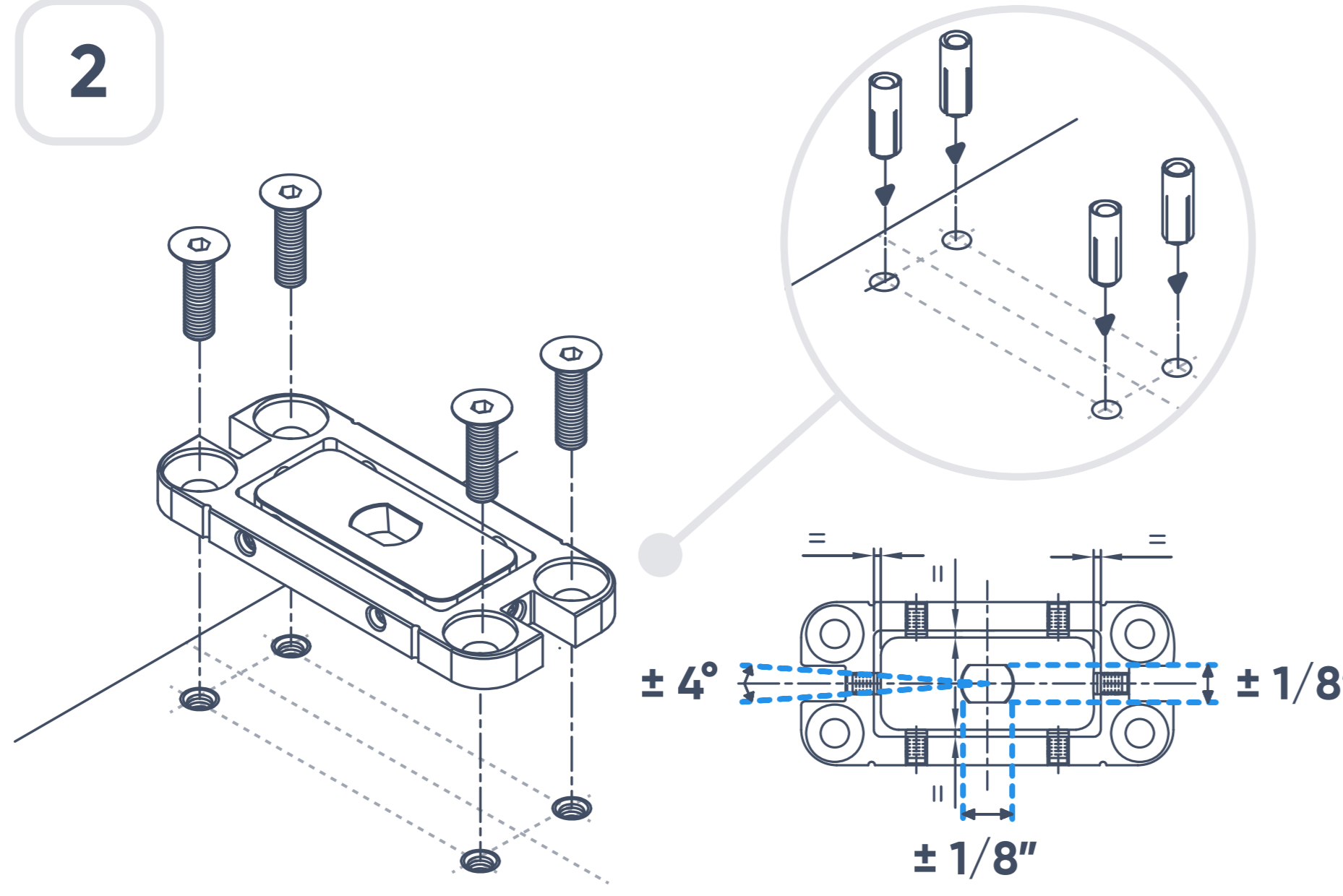
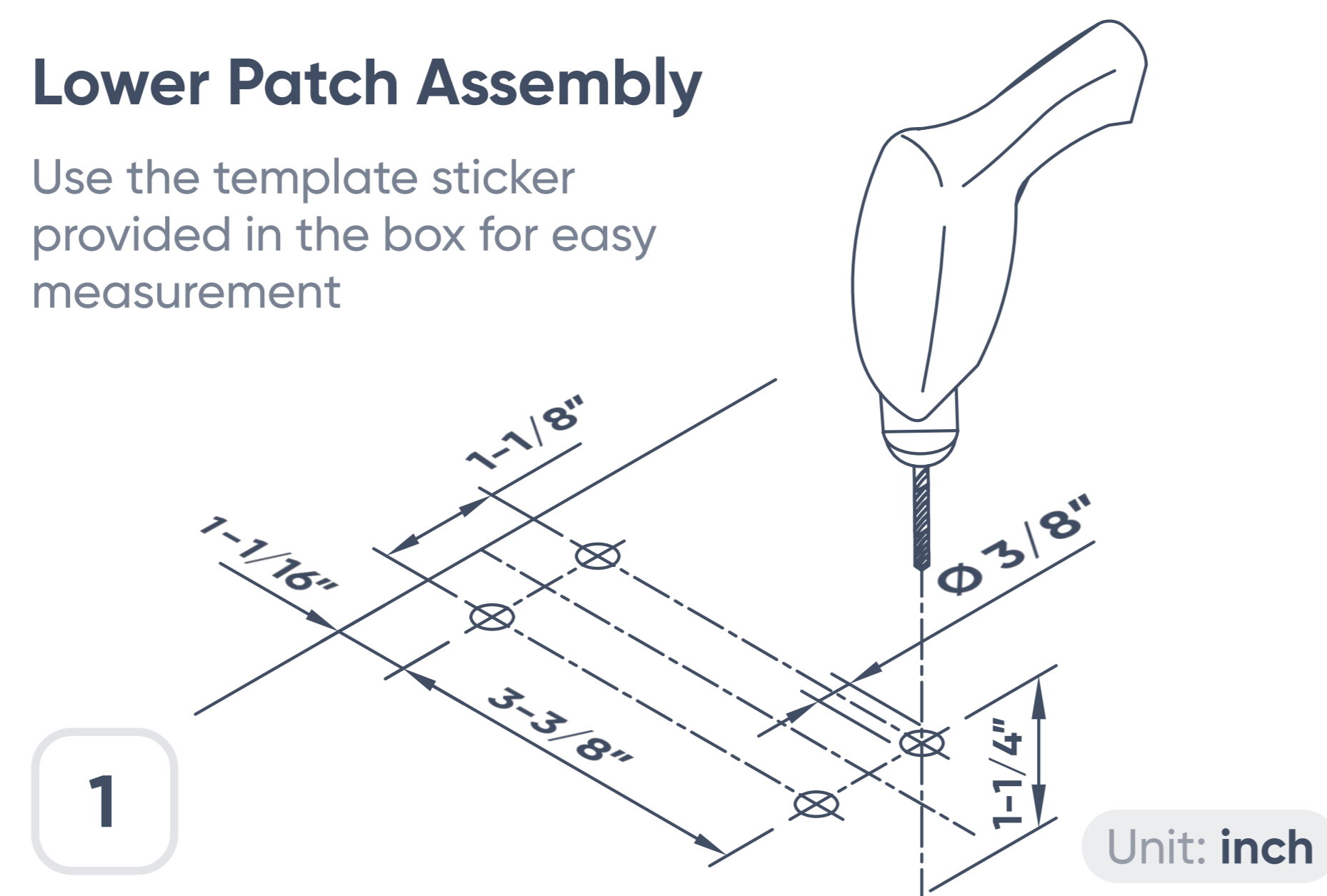
3/8"

39-3/8" Max

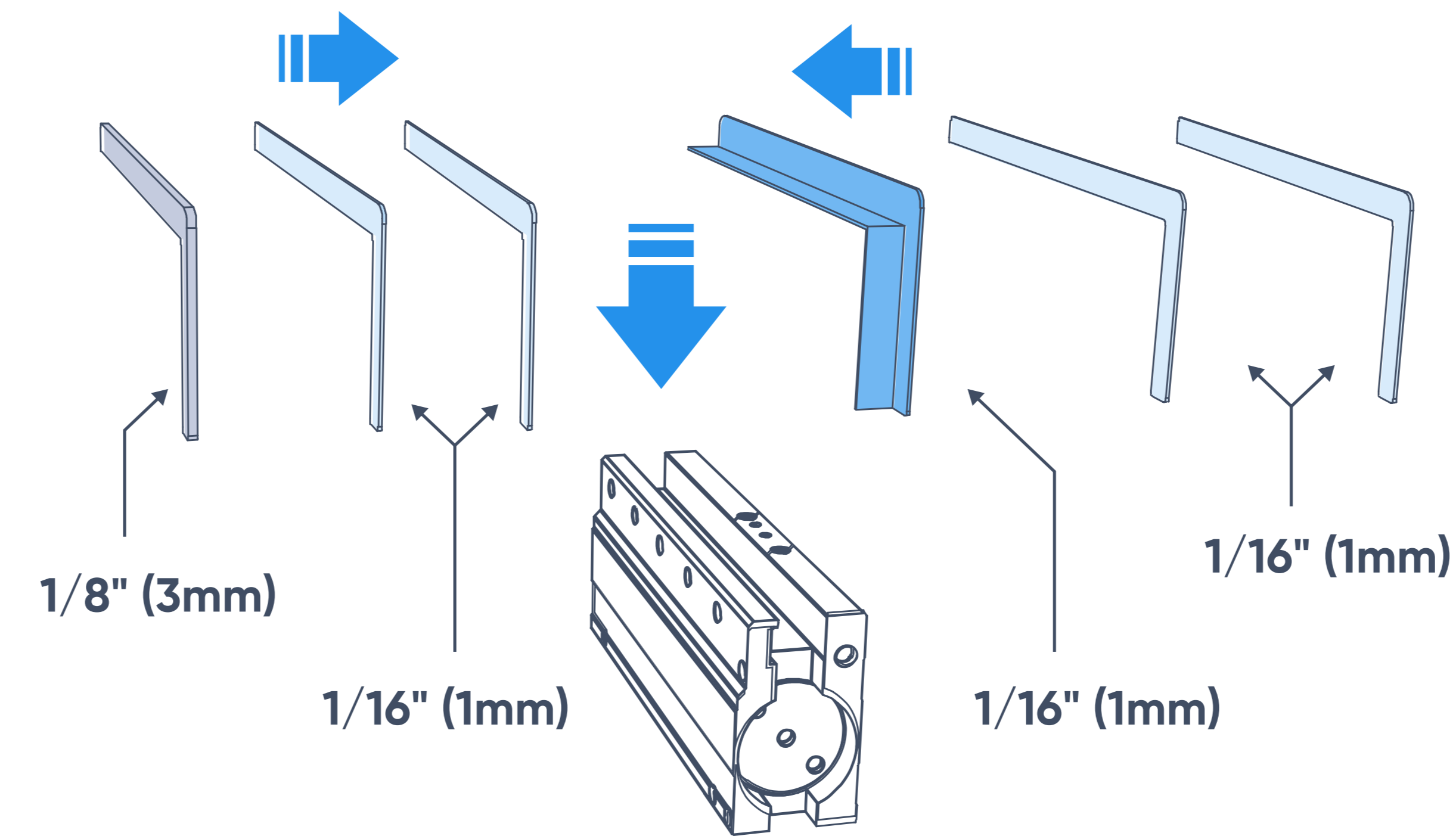
≤220 lbs

Lower Patch Assembly

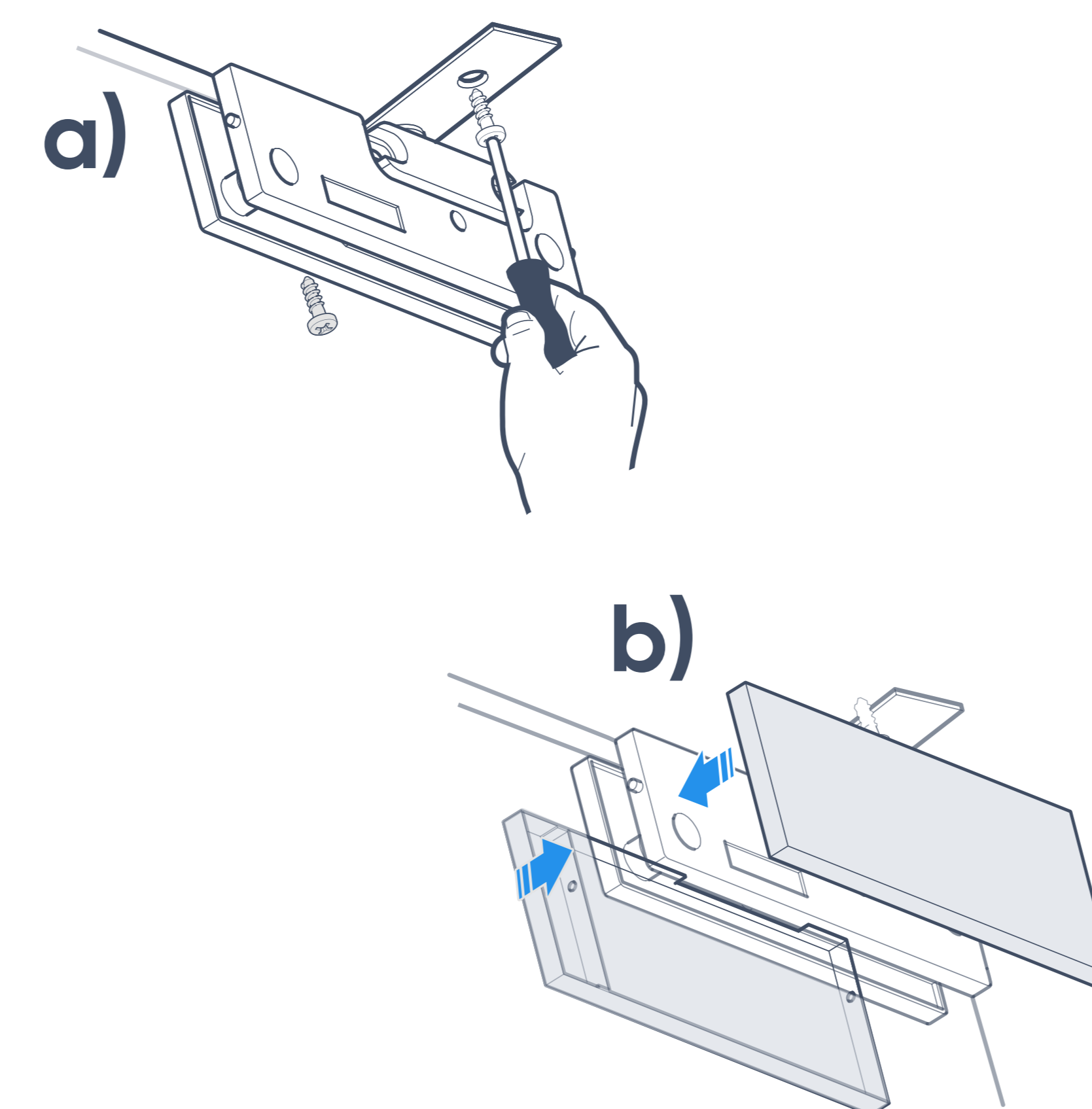
Use the template sticker provided in the box for easy measurement



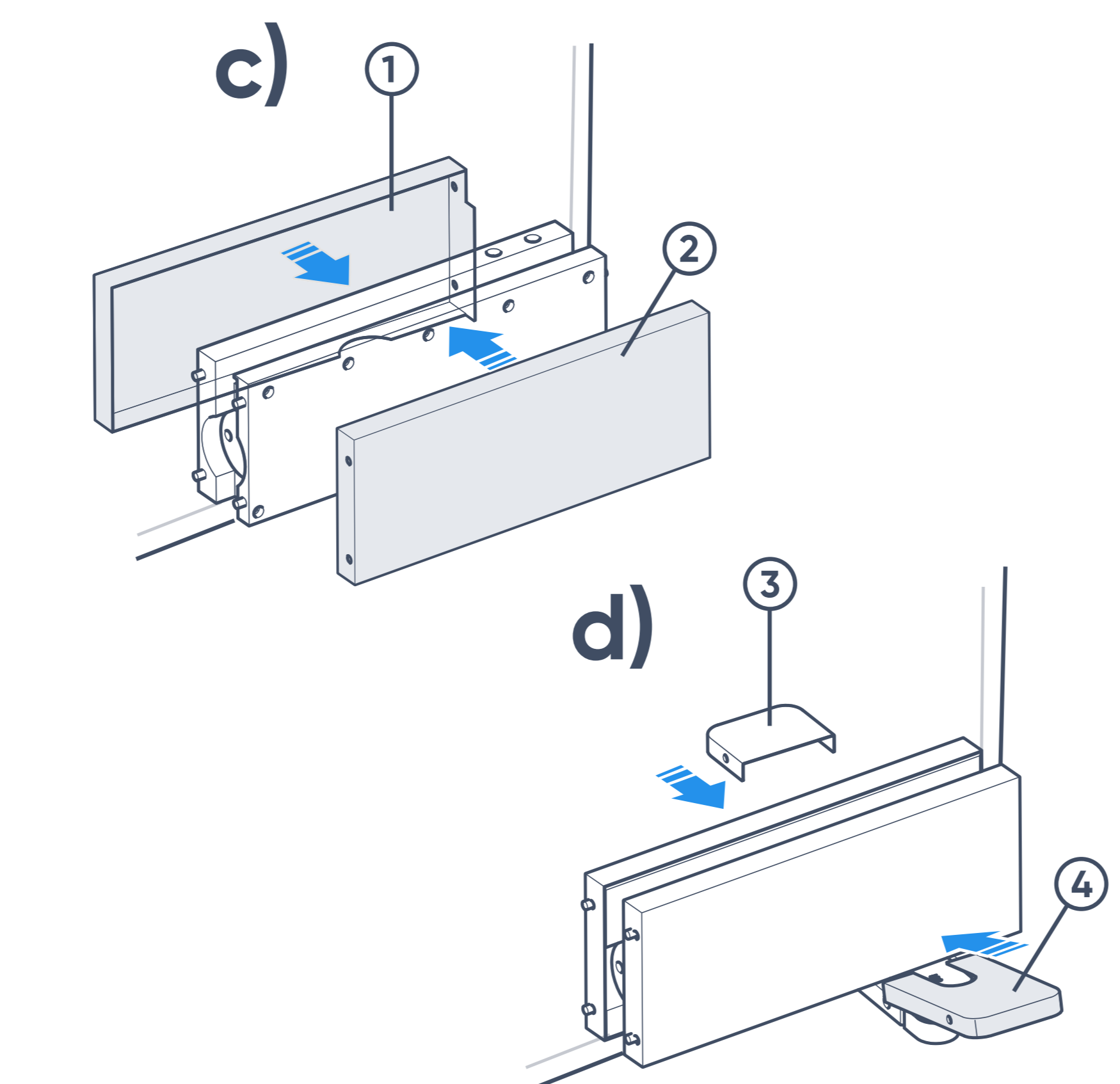
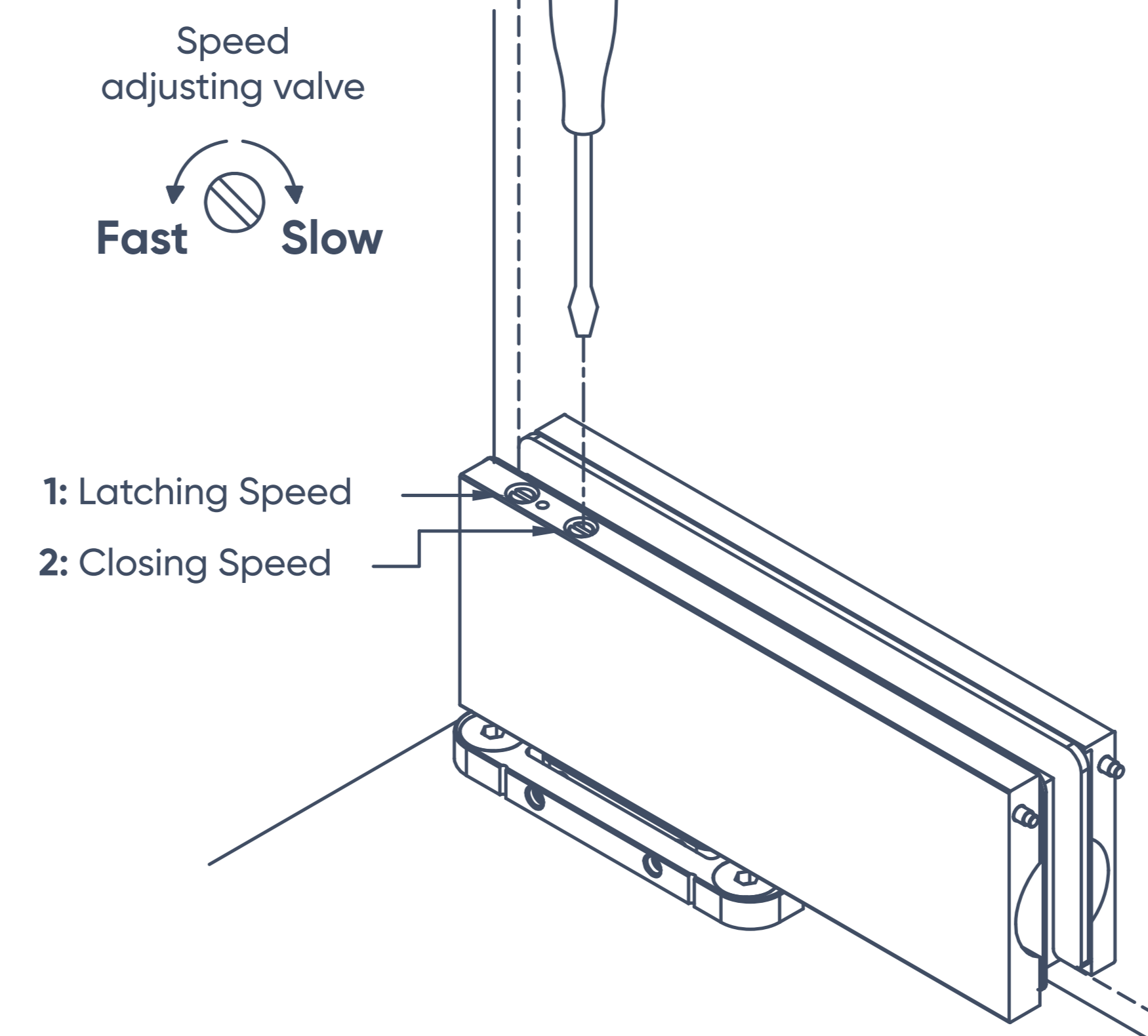
5.1 Installation 3/8" glass



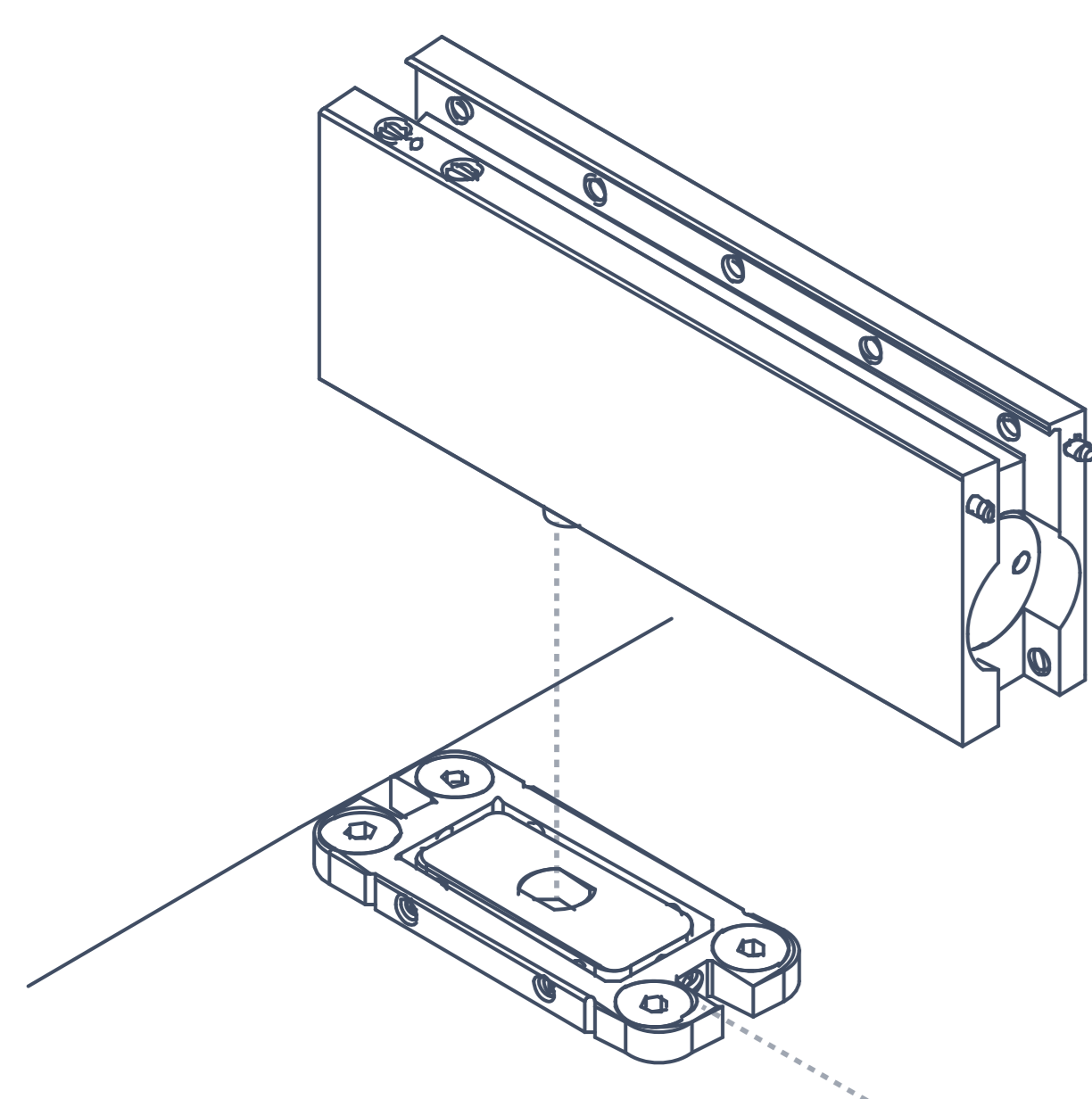
6



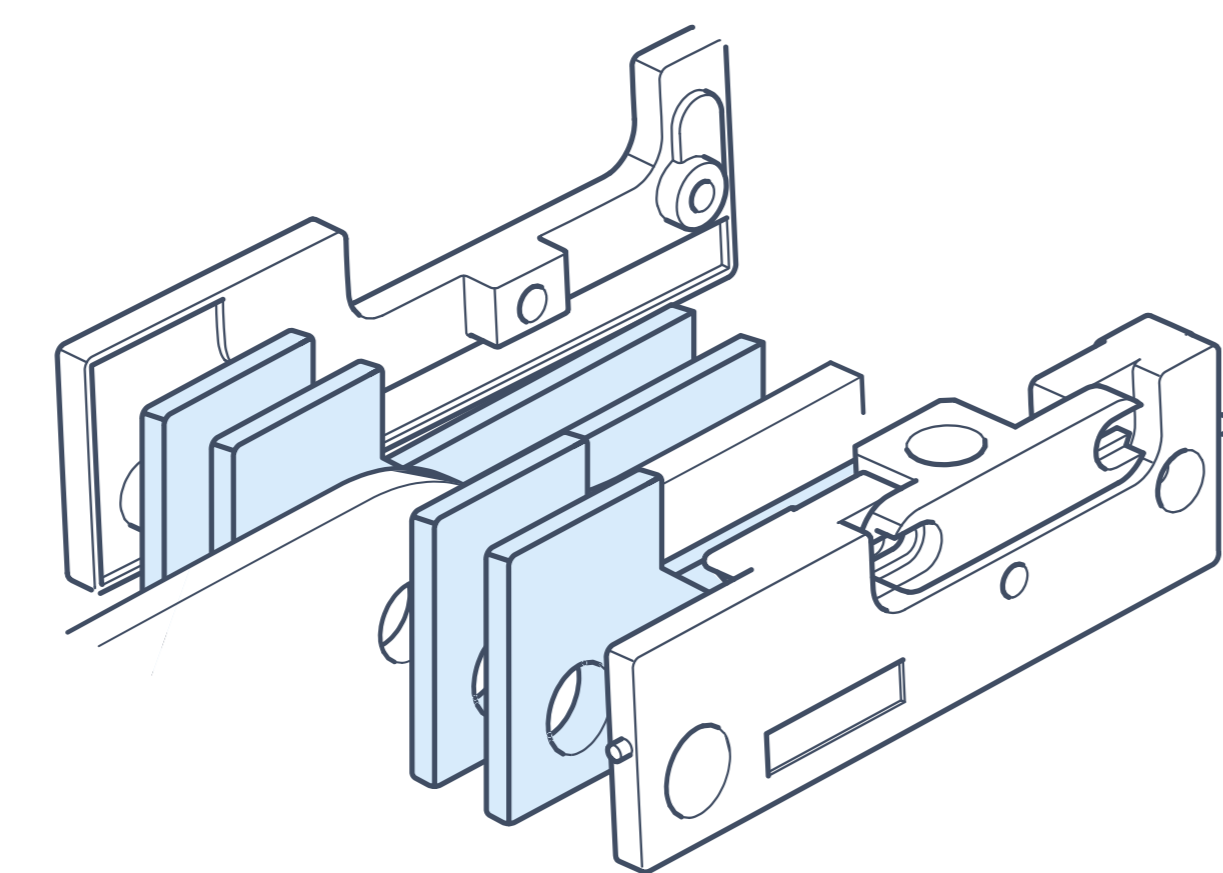
7 Adjustment



3

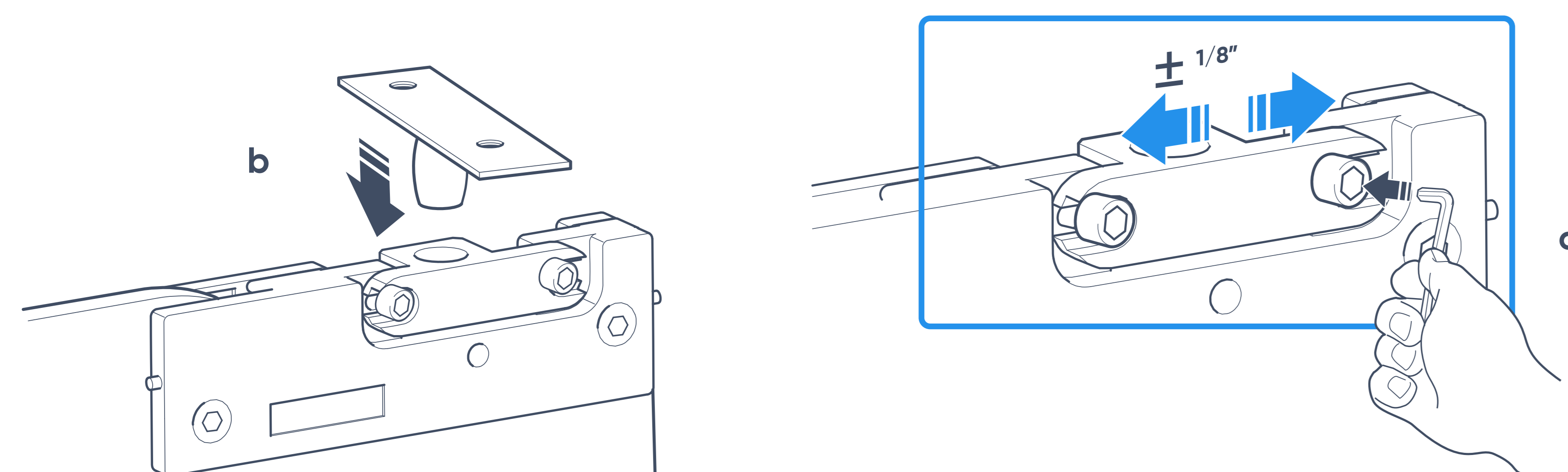


4



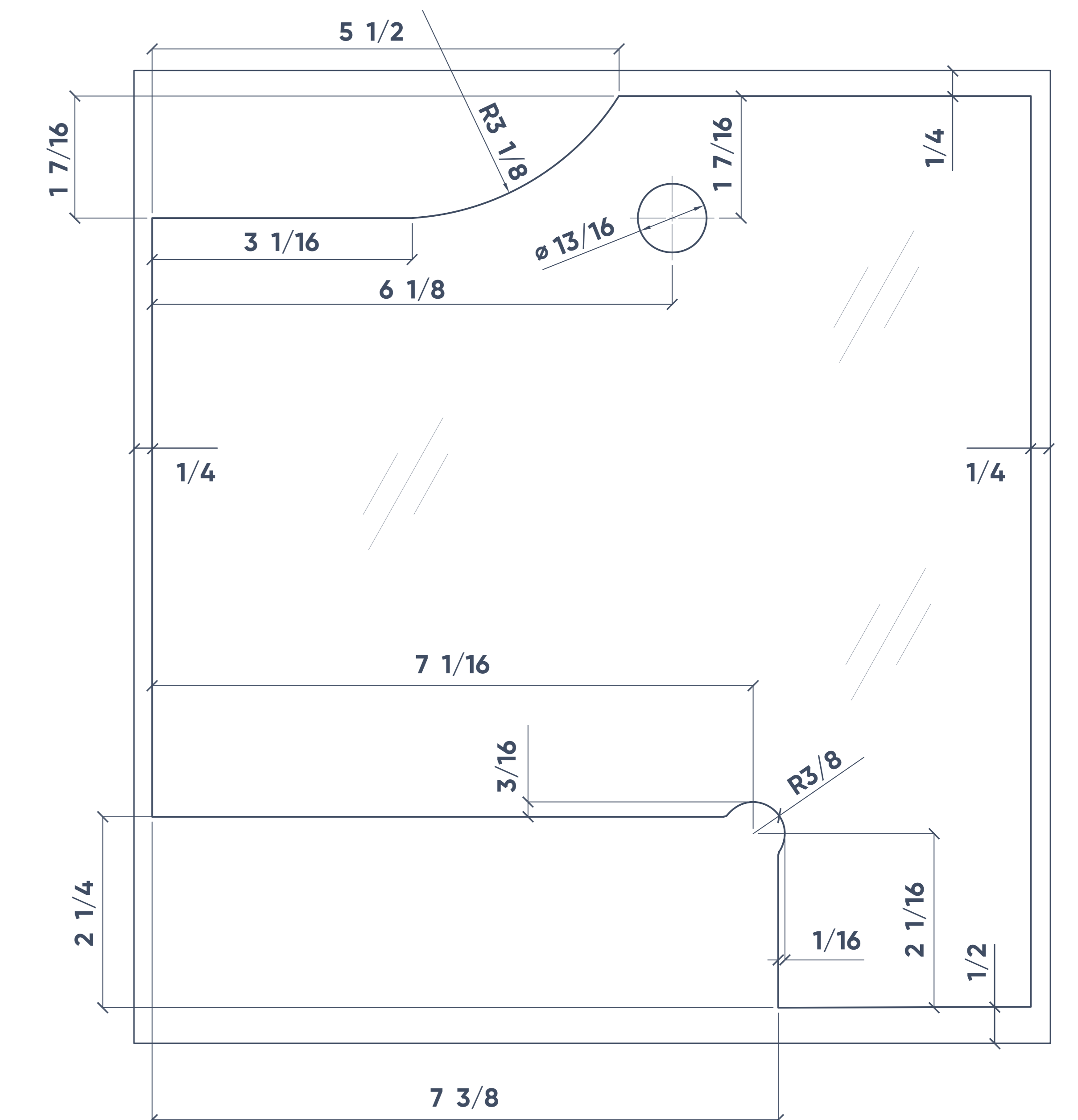
3/8" glass
Top Patch Assembly

5 Top Patch Assembly



CGF Framed Swing Glass Cutouts

Top Patch
SKU: CGTF



Hydraulic Bottom Patch
SKU: CGBF



IMPORTANT: CGF cutouts are not compatible with CGS installations.

Please use the designated cutouts for each system as instructed.